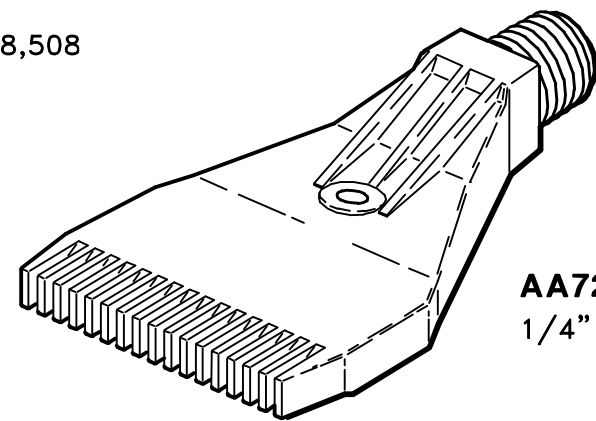


727-SS WindJet® AIR CONTROL NOZZLES

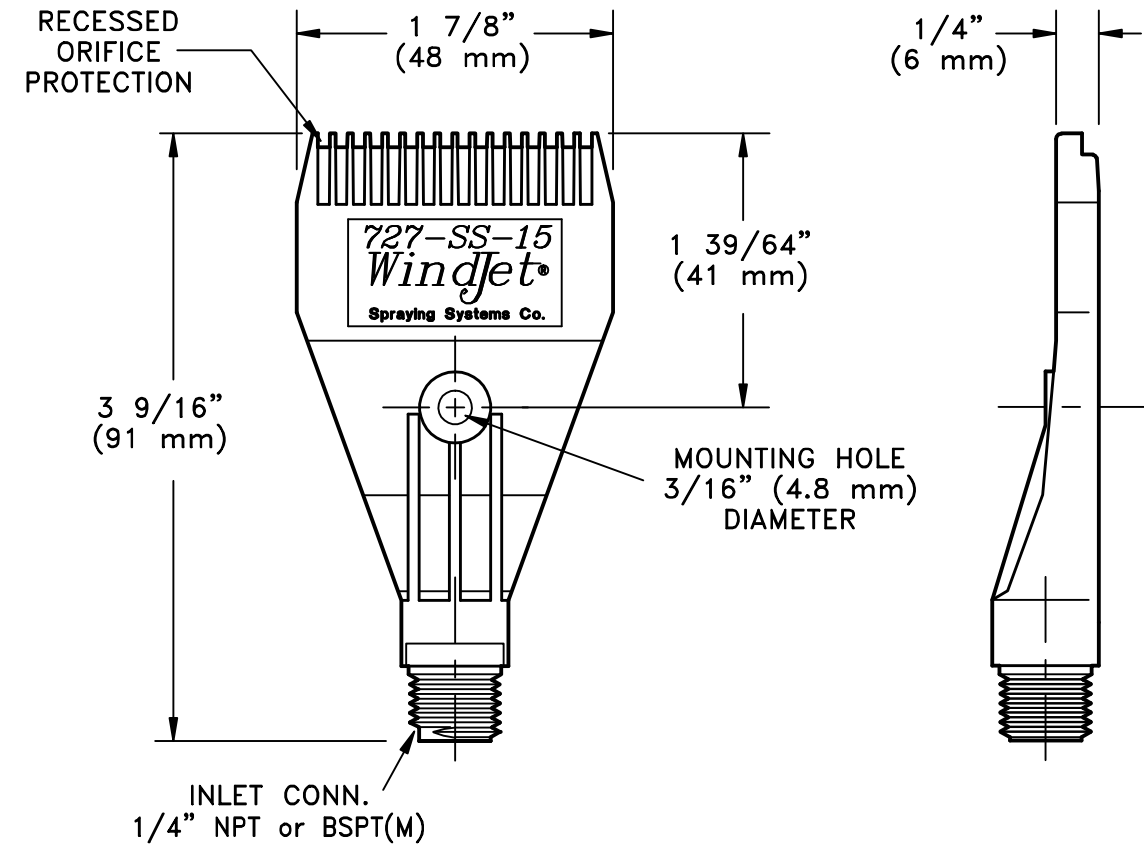
Patent Number 6,228,508



AA727-1/4-SS--
1/4" MALE CONN.

TYPICAL APPLICATIONS:

- PARTS CLEANING
- AIR CURTAINS
- MOVING OF MATERIALS
- COOLING
- DRYING



FEATURES:

- TYPE 316 STAINLESS STEEL CONSTRUCTION PROVIDES DURABILITY AND CORROSION RESISTANCE...AND ALLOWS FOR HIGHER OPERATING PRESSURES AND TEMPERATURES.
- ORIFICES PROTECTED AGAINST EXTERNAL DAMAGE. RECESSED DESIGN ALSO PROVIDES AIR ESCAPE SHOULD THE NOZZLE BE ACCIDENTALLY PLACED AGAINST A SURFACE. DEADEND PRESSURE IS LESS THAN 30 PSIG (2 bar), AN OSHA REQUIREMENT FOR SAFE OPERATION.
- LOW NOISE LEVEL. CONSIDERABLY LESS THAN OSHA STANDARD 1910.95.
- UNIFORM DISTRIBUTION ACROSS IMPACT OR BLOW-OFF AREA, FOR IMPROVED CONTROL.
- EFFICIENT USE OF AIR FOR HIGH IMPACT.
- MOUNTING HOLE PROVIDED FOR POSITIVE POSITIONING IN FIXED APPLICATIONS.
- MAXIMUM RECOMMENDED OPERATING PRESSURE: 150 PSI (10.3 bar)
- MAXIMUM RECOMMENDED OPERATING TEMPERATURE: 500°F (260°C).
- WEIGHT: 4.1 oz. (116 g).

NOZZLE No.	CAPACITY - SCFM AT VARIOUS AIR PRESSURES - PSI					CAPACITY - NI/min AT VARIOUS AIR PRESSURES - bar				
	10 PSI	30 PSI	40 PSI	60 PSI	90 PSI	0.7 bar	2 bar	3 bar	4 bar	6 bar
AA727--11	5.0	8.9	10.8	14.4	19.8	142	246	323	396	549
AA727--15	6.8	12.8	15.7	21.3	29.6	193	357	470	586	816
AA727--23	9.9	18.4	22.5	30.9	43.4	280	510	680	852	1198

ORDERING INFORMATION: SPECIFY NOZZLE No.

EXAMPLES: AA727-1/4-SS-15 (FOR NPT CONNECTION)
AAB727-1/4-SS-15 (FOR BSPT CONNECTION)

<p>DESCRIPTION:</p> <p style="text-align: center;">No. AA_727-1/4-SS WINDJET® AIR CONTROL NOZZLES</p>	<p>Spraying Systems Co.® Spray Nozzles and Accessories P.O. Box 7900 - Wheaton, IL 60189-7900</p>
	<p>Rev. No. 1</p> <p>Ref.</p>