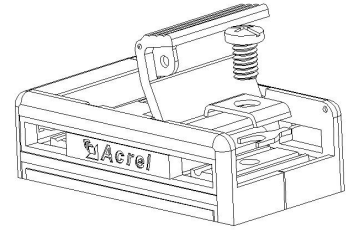


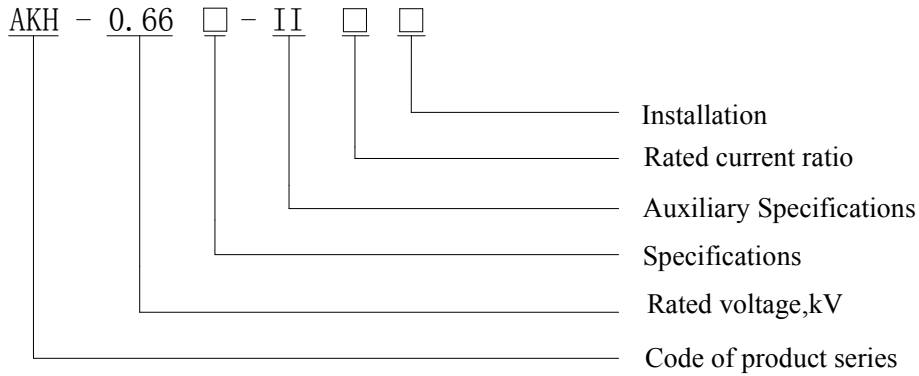
## AKH-0.66 II Current transformer

### 1. Product feature

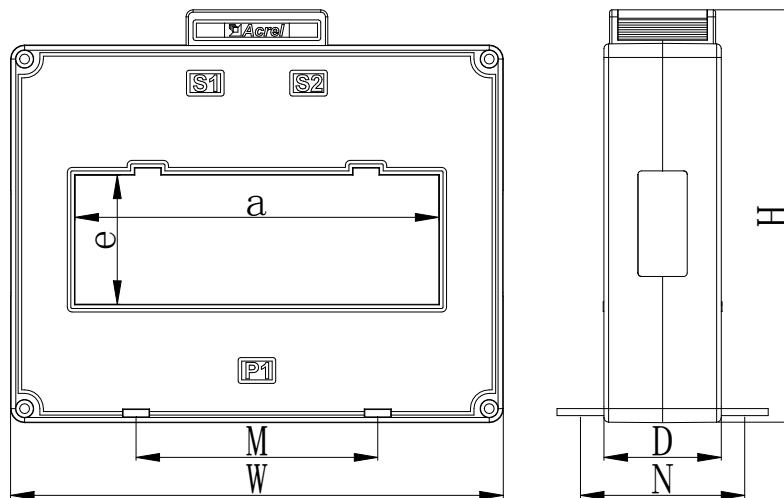
Horizontal square hole type, they can pass through 1-6 bar bus and also pass through multiple cables. They are generally used with electrical measuring instruments, widely used in electrical sets.



### 2. Explanation for type



### 3. Spec. and size



Type	Size (mm)		Outline size			Through size		Mounting size		Tolerance
	W	H	D	$\Phi$	a	e	M	N		
30 II	62	98	45	/	32	32	28	57.5	±1	
40 II	78	103	45	/	43	31.5	48	57.5		
50 II	87	113	45	/	52	32	30	57.5		
60 II	102	125	45	/	61	33	42	57.5		
60×50 II	102	142	45	/	62	51.5	42	57.5		








80II	117	119	45	/	82	32	60	57.5
80×50II	120	141	45	/	82	52	60	57.5
100II	145	125	45	/	103	35	80	57.5
100×50II	145	155	50	/	103	55	80	70.5
100×80II	152	190	55	/	104	85	80	70.5
120×50II	174	168	48	/	122	53	79	70.5
120×80II	160	193	60	/	122	72	56	70.5
130×50II	176	160	50	/	135	55	86	70.5
150×50II	210	176	55	/	155	55	103	70.5
180×50II	239	181	60	/	185	55	40	83
200×50II	247	175	55	/	202	61	188	83
220×50II	280	190	60	/	225	55	65/55/ 65	83
260×50II	320	191	60	/	265	55	65/55/ 65	83
170×100II	227	230	60	/	172	105	103	83
260×100II	308	218	63	/	265	104	183	83

4. Cross-reference tables of spec. -parameter



Specification	Rated current ratio (A)	Precision degree and corresponding rated load (VA/Ω)			Straight-through tums	Bus spec(mm)/ number	Installation
		0.2	0.5	1			
30II	100/5 (1)			1.5	1	30x10/1-2	A,C
	150/5 (1)			1.5	1		
	200/5 (1)		2.5		1		
	250/5 (1)		3.75		1		
	300-450/5 (1)		5		1		
	500/5 (1)		10		1		
	600/5		10		1		
40II	100/5 (1)			1.5	1	40×10/ 1-2	A,C
	150/5 (1)			2.5	1		
	200/5 (1)		2.5		1		
	250/5 (1)		3.75		1		
	300-450/5 (1)		5		1		
	500-800/5 (1)		10		1		
	1000/5 (1)	10			1		

	150			2.5	1	50×10/ 1-2	
	200-250/5 (1)		2.5		1		
	300-450/5 (1)		5		1		
	500-800/5 (1)		10		1		
	1000-1250/5 (1)	10			1		
	1500/5 (1)	20			1		
	200-250/5 (1)		2.5		1	60×10/ 1-2	C
	300-450/5 (1)		5		1		
	500-800/5 (1)		10		1		
	1000-1250/5 (1)	10			1		
	1500-2000/5 (1)	20			1		
	2500/5 (1)	30			1		
	200-250/5 (1)		2.5		1	60×10/ 1-3	
	300-450/5 (1)		5		1		
	500-800/5 (1)		10		1		
	1000-1250/5 (1)	10			1		
	1500-2000/5 (1)	20			1		
	2500/5 (1)	30			1		
	200-250/5 (1)		2.5		1	80×10/ 1-2	
	300-450/5 (1)		5		1		
	500-800/5 (1)		10		1		
	1000-1250/5 (1)	10			1		
	1500-2000/5 (1)	20			1		
	2500-3000/5 (1)	30			1		
	200-250/5 (1)		2.5		1	80×10/ 1-3	D
	300-450/5 (1)		5		1		
	500-800/5 (1)		10		1		
	1000-1250/5 (1)	10			1		
	1500-2000/5 (1)	20			1		
	2500-3000/5 (1)	30			1		
	300-450/5 (1)		5		1	100×10/ 1-2	
	500-800/5 (1)		10		1		
	1000-1250/5 (1)	10			1		
	1500-2000/5 (1)	20			1		
	2500-4000/5 (1)	30			1		
	300-450/5 (1)		5		1	100×10/ 1-3	
	500-800/5 (1)		10		1		
	1000-1250/5 (1)	10			1		
	1500-2000/5 (1)	20			1		
	2500-4000/5 (1)	30			1		
100×80II	600-800/5 (1)		10		1	100×10/ 1-4	
	1000-1250/5 (1)	10			1		
	1500-2000/5 (1)	20			1		

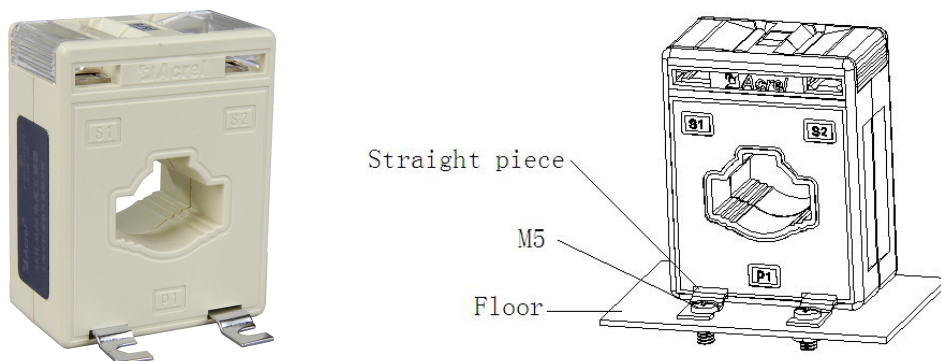
	2500-4000/5 (1)	30			1	120×10/ 1-3	D
	500-800/5 (1)		10		1		
	1000-1250/5 (1)	10			1		
	1500-2000/5 (1)	20			1		
	2500-5000/5 (1)	30			1	125×10/1-3 130×10/1-3 60×10/2-6	
	600-800/5 (1)		10		1		
	1000-1250/5 (1)	10			1		
	1500-2000/5 (1)	20			1		
	2500-5000/5 (1)	30			1	120×10/ 1-4	
	1000-1250/5 (1)	10			1		
	1500-2000/5 (1)	20			1		
	2500-5000/5 (1)	30			1	170×10/1-3 100×10/3-6	
	1500-2000/5 (1)	15			1		
	2500-5000/5 (1)	30			1	180×10/1-3	
	1200-2000/5 (1)	10			1		
	2500-5000/5 (1)	30			1	200×10/1-3 100×10/4-6	
	1500-2000/5 (1)	20			1		
	1500-2000/5 (1)	20			1		
	2500-6300/5(1)	30			1	250×10/2-5 125×10/4-10	
	1500-2000/5(1)	20			1		
	1200-1500/5 (1)	10			1		

## 5. Technical indicators

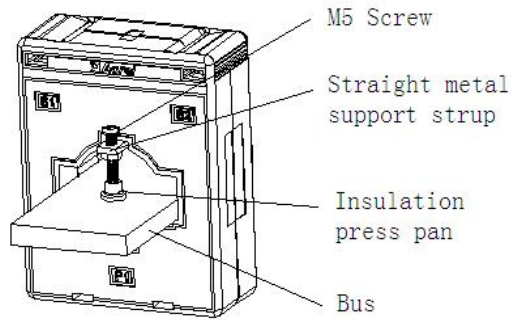
- Rated operation voltage AC 0.66kV(Equivalent AC 0.63kV,GB156-2003)
- Rated frequency 50-60Hz
- Ambient air temperature -30℃-70℃
- Height above sea level ≤3000m
- Power frequency withstand voltage 3000v/1min 50Hz
- Used in place without direct rain and snow,without severe pollution and acute shock

## 6. Installation

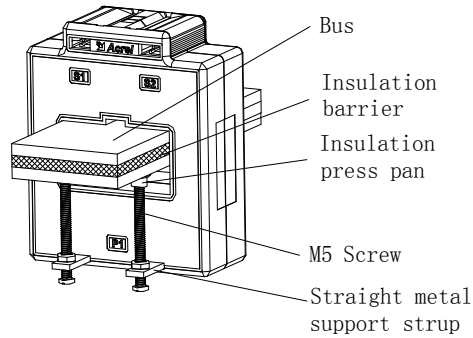
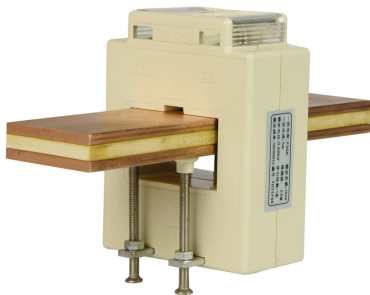
A:



C:



D:



### 7. Design and test standards

No.	Name	Testing condition	Measuring instrument	Product Verification Cycle	Product testing standards
1	Surface, Terminal mark	Temperature: 20-25°C Humidity: 50-65%	HLS-50G2 Standard Current Transformer、	2 Years	GB 20840.2-2014 《Current Transformer》 JJG313-2010 Verification Procedure
2	Power frequency Withstand voltage		HES-1 Digital Transformer Verification		
3	Insulation resistance		FY47 Current Transformer Load Cases		
4	Error testing		FY49 Current Transformer Load Cases LK2673 Withstand Voltage Tester ZG25-4 Insulation Resistance Shaking Instrument		