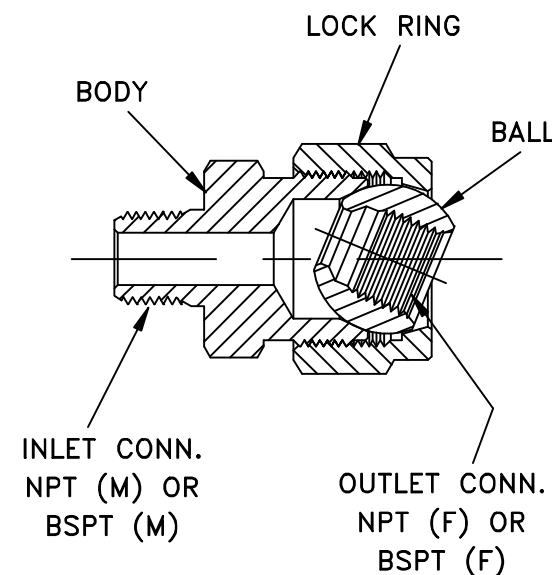
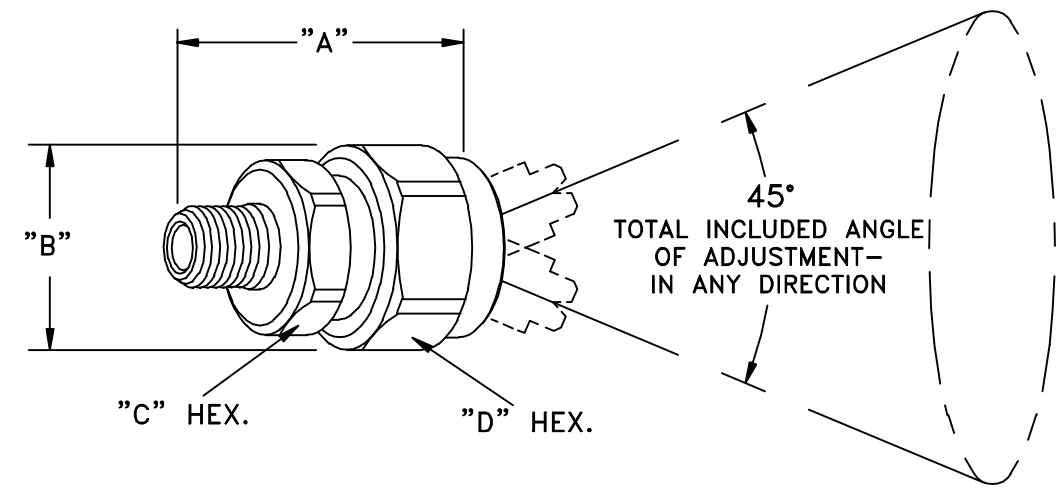


ADJUSTABLE BALL FITTING No.	MATERIAL	INLET CONN.	OUTLET CONN.	DIMENSIONS				NET WEIGHT
				"A"	"B"	"C" HEX.	"D" HEX.	
36275-1/8x1/8	BRASS	1/8" NPT (M)	1/8" NPT (F)	1 3/8" (34.9 mm)	31/32" (24.6 mm)	3/4" (19.1 mm)	7/8" (22.2 mm)	2 oz. (0.057 kg)
B36275-1/8x1/8-SS	STAINLESS STEEL							
36275-1/8x1/8-SS	STAINLESS STEEL	1/8" BSPT (M)	1/8" BSPT (F)	1 3/8" (34.9 mm)	31/32" (24.6 mm)	3/4" (19.1 mm)	7/8" (22.2 mm)	2 oz. (0.057 kg)
B36275-1/8x1/8-SS	STAINLESS STEEL							
36275-1/4x1/4	BRASS	1/4" NPT (M)	1/4" NPT (F)	1 9/16" (39.7 mm)	1 3/32" (27.8 mm)	7/8" (22.2 mm)	1" (25.4 mm)	3 oz. (0.085 kg)
B36275-1/4x1/4-SS	STAINLESS STEEL							
36275-1/4x1/4-SS	STAINLESS STEEL	1/4" BSPT (M)	1/4" BSPT (F)	1 9/16" (39.7 mm)	1 3/32" (27.8 mm)	7/8" (22.2 mm)	1" (25.4 mm)	3 oz. (0.085 kg)
B36275-1/4x1/4-SS	STAINLESS STEEL							
36275-1/4x1/8	BRASS	1/4" NPT (M)	1/8" NPT (F)	1 9/16" (39.7 mm)	1 3/32" (27.8 mm)	7/8" (22.2 mm)	1" (25.4 mm)	3.1 oz. (0.088 kg)
B36275-1/4x1/8-SS	STAINLESS STEEL							
36275-1/4x1/8-SS	STAINLESS STEEL	1/4" BSPT (M)	1/8" BSPT (F)	1 9/16" (39.7 mm)	1 3/32" (27.8 mm)	7/8" (22.2 mm)	1" (25.4 mm)	3.1 oz. (0.088 kg)
B36275-1/4x1/8-SS	STAINLESS STEEL							
36275-3/8x3/8	BRASS	3/8" NPT (M)	3/8" NPT (F)	1 25/32" (45.2 mm)	1 3/8" (34.9 mm)	1 1/8" (28.6 mm)	1 1/4" (31.8 mm)	5.5 oz. (0.156 kg)
B36275-3/8x3/8-SS	STAINLESS STEEL							
36275-3/8x3/8-SS	STAINLESS STEEL	3/8" BSPT (M)	3/8" BSPT (F)	1 25/32" (45.2 mm)	1 3/8" (34.9 mm)	1 1/8" (28.6 mm)	1 1/4" (31.8 mm)	5.5 oz. (0.156 kg)
B36275-3/8x3/8-SS	STAINLESS STEEL							
36275-3/8x1/4	BRASS	3/8" NPT (M)	1/4" NPT (F)	1 25/32" (45.2 mm)	1 3/8" (34.9 mm)	1 1/8" (28.6 mm)	1 1/4" (31.8 mm)	5.7 oz. (0.162 kg)
B36275-3/8x1/4-SS	STAINLESS STEEL							
36275-3/8x1/4-SS	STAINLESS STEEL	3/8" BSPT (M)	1/4" BSPT (F)	1 25/32" (45.2 mm)	1 3/8" (34.9 mm)	1 1/8" (28.6 mm)	1 1/4" (31.8 mm)	5.7 oz. (0.162 kg)
B36275-3/8x1/4-SS	STAINLESS STEEL							
36275-1/2x1/2	BRASS	1/2" NPT (M)	1/2" NPT (F)	2 7/32" (56.4 mm)	1 21/32" (42.1 mm)	1 3/8" (34.9 mm)	1 1/2" (38.1 mm)	10 oz. (0.283 kg)
B36275-1/2x1/2-SS	STAINLESS STEEL							
36275-1/2x1/2-SS	STAINLESS STEEL	1/2" BSPT (M)	1/2" BSPT (F)	2 7/32" (56.4 mm)	1 21/32" (42.1 mm)	1 3/8" (34.9 mm)	1 1/2" (38.1 mm)	10 oz. (0.283 kg)
B36275-1/2x1/2-SS	STAINLESS STEEL							
36275-1/2x1/4	BRASS	1/2" NPT (M)	1/4" NPT (F)	1 7/8" (47.6 mm)	1 3/8" (34.9 mm)	1 1/8" (28.6 mm)	1 1/4" (31.8 mm)	5.7 oz. (0.162 kg)
B36275-1/2x1/4-SS	STAINLESS STEEL							
36275-1/2x1/4-SS	STAINLESS STEEL	1/2" BSPT (M)	1/4" BSPT (F)	1 7/8" (47.6 mm)	1 3/8" (34.9 mm)	1 1/8" (28.6 mm)	1 1/4" (31.8 mm)	5.7 oz. (0.162 kg)
B36275-1/2x1/4-SS	STAINLESS STEEL							
36275-1/2x3/8	BRASS	1/2" NPT (M)	3/8" NPT (F)	1 7/8" (47.6 mm)	1 3/8" (34.9 mm)	1 1/8" (28.6 mm)	1 1/4" (31.8 mm)	5.3 oz. (0.151 kg)
B36275-1/2x3/8-SS	STAINLESS STEEL							
36275-1/2x3/8-SS	STAINLESS STEEL	1/2" BSPT (M)	3/8" BSPT (F)	1 7/8" (47.6 mm)	1 3/8" (34.9 mm)	1 1/8" (28.6 mm)	1 1/4" (31.8 mm)	5.3 oz. (0.151 kg)
B36275-1/2x3/8-SS	STAINLESS STEEL							
36275-3/4x3/4	BRASS	3/4" NPT (M)	3/4" NPT (F)	2 13/32" (61.1 mm)	1 29/32" (48.4 mm)	1 3/4" (44.5 mm)	1 7/8" (47.6 mm)	17 oz. (0.483 kg)
B36275-3/4x3/4-SS	STAINLESS STEEL							
36275-3/4x3/4-SS	STAINLESS STEEL	3/4" BSPT (M)	3/4" BSPT (F)	2 13/32" (61.1 mm)	1 29/32" (48.4 mm)	1 3/4" (44.5 mm)	1 7/8" (47.6 mm)	17 oz. (0.483 kg)
B36275-3/4x3/4-SS	STAINLESS STEEL							

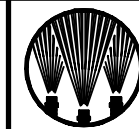


FEATURES:

- PROVIDES ADJUSTABLE POSITIONING OF SPRAY NOZZLES FOR PRECISE CONTROL OF SPRAYING DIRECTION.
- LOCK RING HOLDS THE NOZZLE IN POSITION EVEN WHEN JARRED OR SUBJECTED TO VIBRATION.
- MAXIMUM PRESSURE - 300 PSI (21 bar).
- NOZZLE REMOVAL FOR CLEANING AND READJUSTMENT IS QUICK AND SIMPLE.
- AVAILABLE IN BRASS, 303 STAINLESS STEEL AND OTHER MATERIALS.

HOW TO ORDER: SPECIFY ADJUSTABLE BALL FITTING No.
EXAMPLE: 36275-1/8x1/8

DESCRIPTION:
NO. 36275--- LOCK RING
ADJUSTABLE BALL FITTINGS



Spraying Systems Co.[®]

Spray Nozzles and Accessories
P.O. Box 7900 - Wheaton, IL 60189-7900

Rev. No.

Data Sheet No.

Ref.

36275

SHEET OF