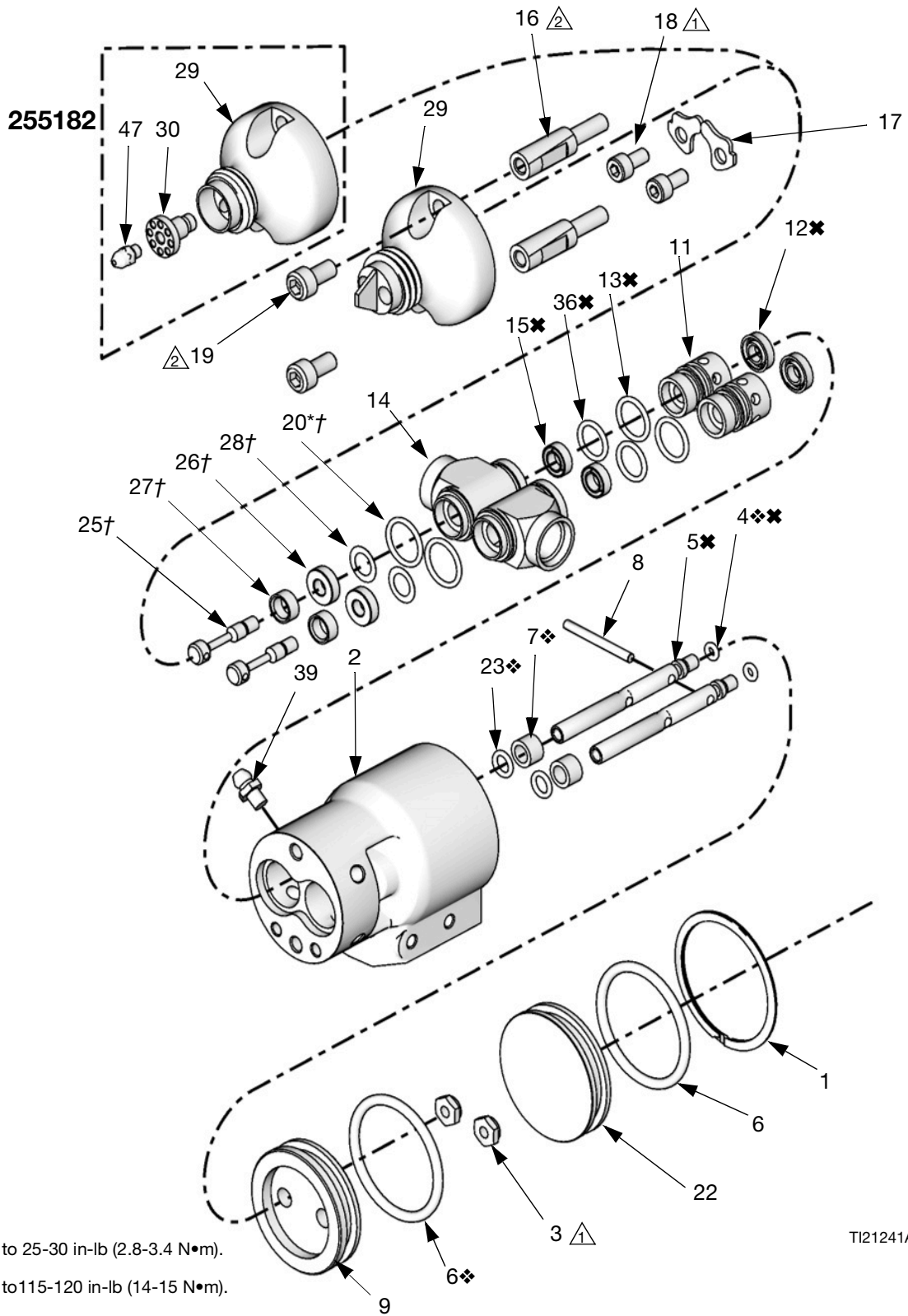


# 255180, 255182, and 255183



TI21241A

## MD2 Valve

The parts listed below are common to all MD2 Dispense valves. Parts which vary are found in the table at the bottom of this page.

Ref	Part	Description	Qty	Ref	Part	Description	Qty
1	120762	RING, retainer	1	18	121224	SCREW, cap, socket head, M5 x 0.8 x 8 mm	2
2	24X840	KIT, housing, air cylinder	1	19	107530	SCREW, high strength	2
3	102920	NUT, lock	2	20†	117517	O-RING, fluoroelastomer	2
4❖❖	157628	O-RING, buna-n	2	32	15K688	NUT, mixer; not shown	1
5❖	15K421	SHAFT, primary	2	33	104765	PLUG, pipe, headless; not shown	2
6❖	156593	O-RING, buna-n	2	36❖	118594	O-RING, fluoroelastomer	2
7❖	551181	BEARING, sleeve 1/4, 3/8, 1/4, nylon	2	39	120892	FITTING, grease	4
8	551183	PIN, dowel 1/8 x 1.25 18-8 sst	1	42	299518	CAP, plug; not shown	2
9	626067	PISTON, air cylinder	1				
11	15K422	BEARING, seal	2				
12❖	551191	PACKING, u-cup, nitrile	2				
13❖	113746	O-RING	2				
14	15K441	HOUSING, inlet	2				
15❖	120768	SEAL, UHMWPE	2				
16	15K442	SPACER, valve	2				
17	15K444	CLAMP, adapter, inlet	2				

❖ *Parts included in Valve Air Cylinder Repair Kit 255217 (purchase separately).*

❖ *Parts included in Valve Lube Seal Repair Kit 255218 (purchase separately)..*

† *Parts included in Front Valve Repair Kit 255220 (purchase separately).*

Ref. No.	Description	1:1	1:1	10:1	Qty
		255180	255183	255182	
22	CAP, air cylinder	15K447	15K447	15K447	1
❖23	O-RING, buna-n	156454	156454	156454	2
25†	NEEDLE, snuff-back	626062	626062	626062	2
26†	SEAT, valve	185467	185467	185467	2
27†	INSERT, snuff-back, 2K2	626060		626060	2
28†	GASKET, seat	171860	171860	171860	2
29	HOUSING, nose	15K445	16T648	15K649	1
30	TUBE, injector, sst		15V624	15V624	1
31	CAP; not shown	15K652	15K652	15V628	2
40	ADAPTER, ratio check	255247	255247	24P850	1
47	TIP, injector			15V623	1
48	TOOL, assembly aid			256793	1