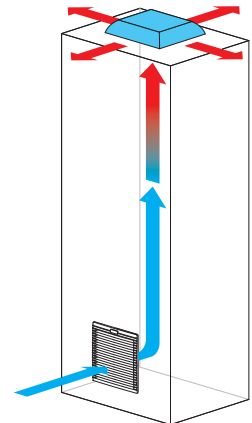




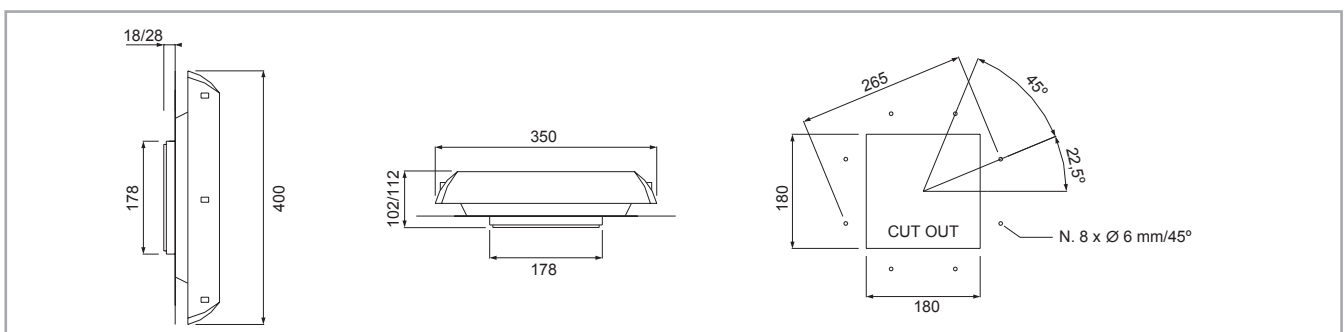
ALFATORR ROOF FAN AND VENT



IP44		ALFATORRB	ALFATORR0600B	ALFATORR0610B	ALFATORR0860B	ALFATORR0861B	ALFATORR1000B	ALFATORR1010B
cULus File n. E301228		ALFATORRUB	ALFATORR0600UB	ALFATORR0610UB	ALFATORR0860UB	ALFATORR0861UB	-	-
Air flow rate, free blow	m ³ /h	-	600 / 625		860 / 950		1000 / 1050	
Air flow rate with inlet filter	m ³ /h	-	430 / 450		580 / 640		700 / 720	
IP54		ALFATORRBF	ALFATORR0600BF	ALFATORR0610BF	ALFATORR0860BF	ALFATORR0861BF	ALFATORR1000BF	ALFATORR1010BF
Air flow rate (free blow)	m ³ /h	-	480 / 500		670 / 760		800 / 840	
Air flow rate with inlet filter	m ³ /h	-	345 / 360		465 / 510		560 / 580	
Power supply	V ph Hz	-	230 1 50/60	115 1 50/60	230 1 50/60	115 1 50/60	230 1 50/60	115 1 50/60
Dimensions WxDxH	IP44	mm	400x350x102					
	IP54		400x350x112					
Power consumption	W	-	70 / 90		85 / 115		120 / 170	
Current consumption	A	-	0.32 / 0.40	0.64 / 0.80	0.43 / 0.50	0.86 / 1.00	0.50 / 0.75	1.00 / 1.50
Overcurrent protection	-	-	Thermal					
Electrical connection	-	-	Terminal					
Duty cycle	-	-	100%					
Operating temperature	°C (°F)	-10 / +70 (+14 / +158)						
Protection class	-	-	Class I					
Noise level	dB (A)	-	64 / 65		72 / 73			
Flow direction	-	-	Inside-out					
Bearing	-	-	Ball					
Service life (at 40°C)	hrs	-	50 000					
Material	-	ABS UL94V-0 Color RAL7035						
Gasket	-	Self-adhesive						
Weight (with packaging)	kg	2.30 (2.50)	3.65 (3.85)		4.00 (4.20)		4.75 (4.95)	
Package dimensions	mm	410x360x130						
Mounting	-	screws						
Conformity/Certifications	-	CE, UL cULus File n. E301229 (model with UB at the end of the code)						

Accessories

Thermostat 0-60°C, NO contact	THV2
Inlet filter	ATV5000
Spare filter mat (for IP54 version)	ALFAFT10
Fan speed controller	FSC1



Specifications, values and drawings are subject to change without notice.