

# Peristaltic Pump

## SR25®

### Application

The peristaltic pump **SR25®** is designed specifically for analysis technology applications for metering fluid media. Key applications include:

- Reliable continuous condensate drainage
- Metered addition of acids and alkalis

### Technology

The peristaltic pump **SR25®** is self-suctioning and designed for continuous operation. It consists of three compact parts:

- Synchronous motor
- Gearing unit with return stop
- Pump

The low speed, the two PVDF hose contact pulleys and the Novoprene hose guarantee a good mechanical and chemical resistance with a long service life. A change of pump hoses is simplified by using especially designed hose sets. The tube connectors allow the application of different tube types. Due to the combination of different gear units and hose sets the **SR25®** provides a wide range of performance and applications.

### Functions

Due to its excellent properties the **SR25®** is integrated as condensate pump and acid/alkalis dosage pump in sample gas coolers and conditioning systems. The pump is available as built-in component, but also on bracket for separate mounting. It can operate in any installed position.



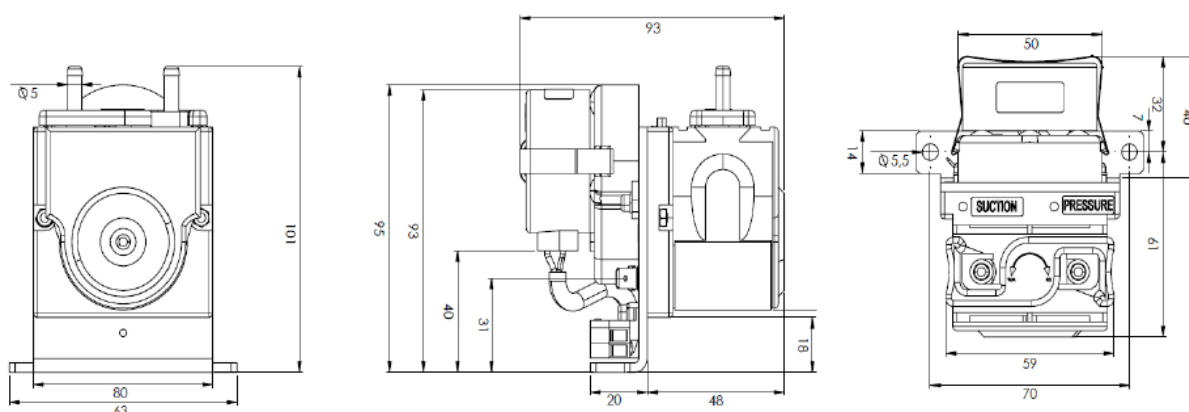
- ✓ Self-suctioning
- ✓ Synchronous motor
- ✓ Return stop
- ✓ High chemical resistance
- ✓ Wide range of performance and applications
- ✓ Very compact design
- ✓ Low speed
- ✓ Long-lasting pump hose

## Technical Data

SR25®							
Order Number		92300209	92300205	92300206*	92100001	92300568	92300569
Speed	U/min	1		5		10	
Pump hose diameter	mm	1,6 x 1,6	3,2 x 1,6	3,2 x 1,6	3,2 x 1,6	4,1 x 1,6	4,1 x 1,6
Pump capacity	ml/min	0,2	0,7	3,5	3,5	5,0	10,0
Port		grommet	hose fitting DN4/6				
Suction maximum	bar abs.	0,2					
Pressure maximum	Bar abs.	2,2					
Media temperature maximum	°C	60					
Material of media conducting parts		PVDF, Novopren					
Ambient temperature	°C	0...+60					
Duty cycle	%	100					
Design data							
Dimensions	mm	130 x 110 x 80					
Weight	kg	0,4					
Mounting		incorporation					
Electrical data							
Power supply		230V 50/60Hz oder 115V 50/60Hz					
Power consumption	W	4,0					
Protection rate	IP	10					
Electrical standard		IP10/EN60529					
Electrical connection		terminals 1,5mm <sup>2</sup>					




\*\* Built-in version partially assembled, incl. hose set N3,2x1,6mm (w/o bracket), only intended as a spare part for MAK 10 and BCR devices..

## Dimensions



Dimensions in mm

## Technical Data

Spare Parts			
	Name	Replacement roller carrier	
	Order Number	92300211	
	Material	PVDF	
	Name	Hose set N3,2x1,6mm with bolted joint	Hose set N4,1x1,6mm with bolted joint
	Order Number	92300498	92300499
	Pump Hose Diameter	3,2 x 1,6 mm	4,1 x 1,6 mm
	Port	Hose Fitting DN4/6	
	Material	PVDF, Novopren	
	Name	Replacement rolling band / lid	
	Order Number	92300212	
	Material	PVDF	