



Certification



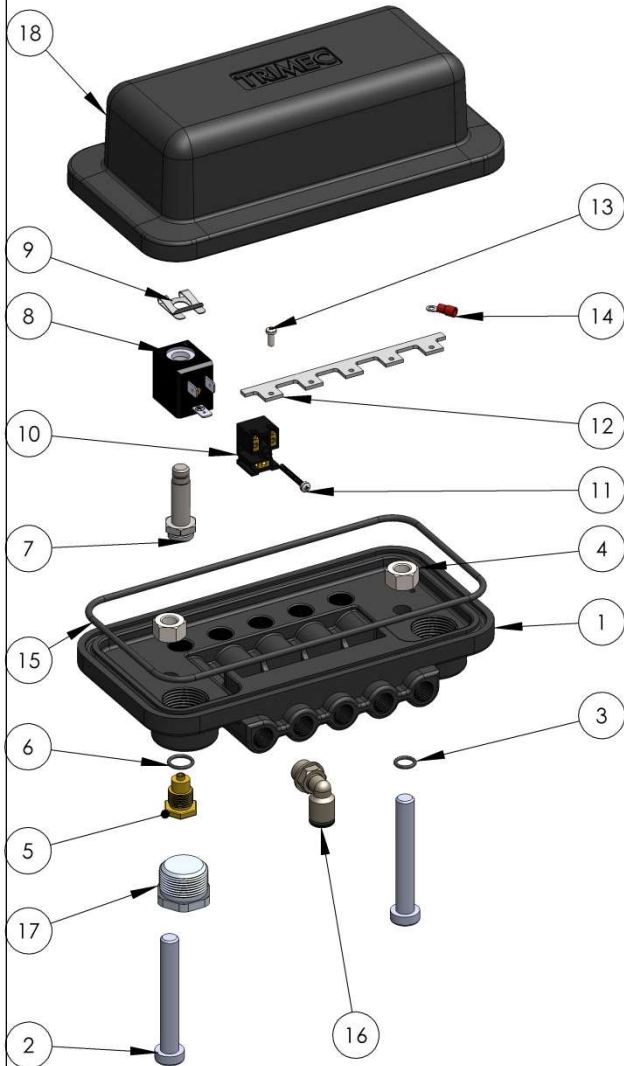
**CHARACTERISTICS**

Parameters		Values
Working-Pressure		1.5 - 8Bar
Environmental Temperature	Standard CSP	-15°C + 70°C
	CSP with thermostatically heater	-40°C +70°C
Heating Power	CSP 5 OUT	70 W
	CSP 8 – CSP 12 OUT	120 W
Pipe connection		Rilsan Pipe 6x8 (length under 2 meters)
Protection level		IP65
Material Enclosure		Die Cast Alluminium
Voltage		24VDC – 20 W
		24VAC – 20 VA,50 Hz
		115VAC – 20 VA,50 Hz
		230VAC – 20 VA,50 Hz

**EXPLODED**

**Standard Version**

**Optional Version: ATEX 3GD**

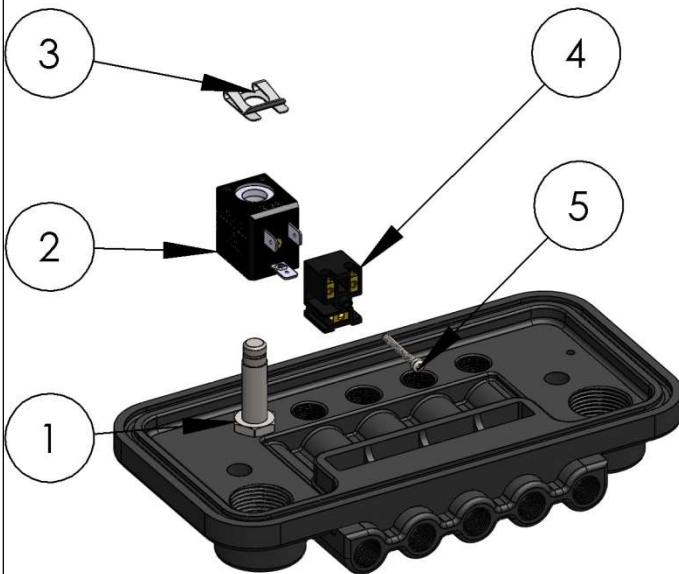


N.	Material	Description	Qty
1a	Die Cast Aluminium	5 positions CSP base	1
1b		8 positions CSP base	
1c		12 positions CSP base	
2	Carbon Steel	Screw M10 x 75	2
3	NBR 70	O-Ring	2
4	Carbon Steel	Nut M10	2
5	Brass	Insert for CSP	X
6	NBR 70	O-Ring	X
7	Stainless Steel	Solenoid Pilot	X
8	Polyamide	Coil	X
9	Carbon Steel	Clip	X
10	Polyamide	Connector	X
11	Carbon Steel	Screw M3x25	X
12	Carbon Steel	Common Stick	X
13	Carbon Steel	Screw M3x8	X
14	Polyamide	Eyelet	1
15	NBR 70	O-Ring	1
16	Nickel Brass	Fitting 6x8, 1/4"	X
17	Carbon Steel	3/4" Gas Plug	1
18a	Die Cast Aluminium	5 positions CSP cover	1
18b		8 positions CSP cover	
18c		12 positions CSP cover	

Where X is indicated, refer to the number of outputs of the CSP

CSP MODELS	
KIT CODE	
CSP 5	From 1 to 5 solenoid pilots
CSP 8	From 6 to 8 solenoid pilots
CSP 12	From 9 to 12 solenoid pilots

**SPARE PARTS**



CSP SPARE PARTS		
N.	Description	Code
1	Solenoid Pilot	PT00B007NC
2	Coil	PTTB-**/**
3	Clip	PT00E003
4	Connector	PTTMT0100
5	Screw M3x25	BL0213M0L25M

**OPTIONAL ACCESSORIES**

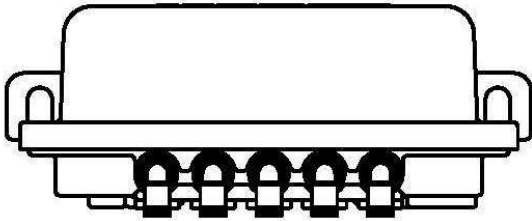
**CSP Brackets -Thermostatically heater**



CSP Brackets		
N.	Description	Code
1.1	Bracket Dx. CSP	011885CSPS001
1.2	Bracket Sx. CSP	
1.3	Screw M6x20	

Thermostatically heater	
N.	Description
2.1	Thermostatically heater
2.2	Bimetal thermostat

**ASSEMBLED DIMENSION**



	CSP5	CSP8	CSP12
A	285	360	460
B	225	300	400
C	90	165	265
D	255	330	430

