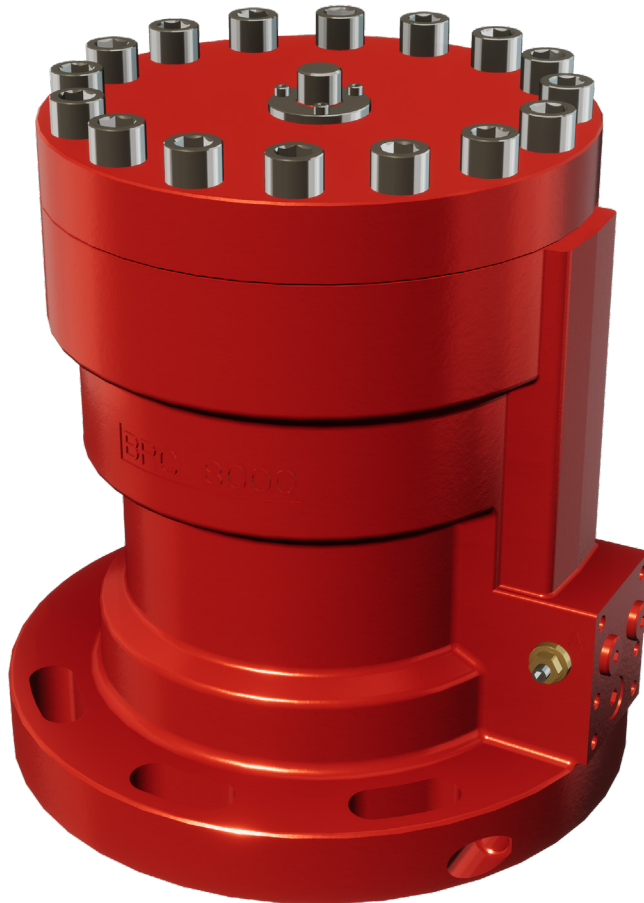


Damcos™ BRC 8000

Hydraulic Double-acting Balanced Rotary Actuator 90°
(Quarter-turn)

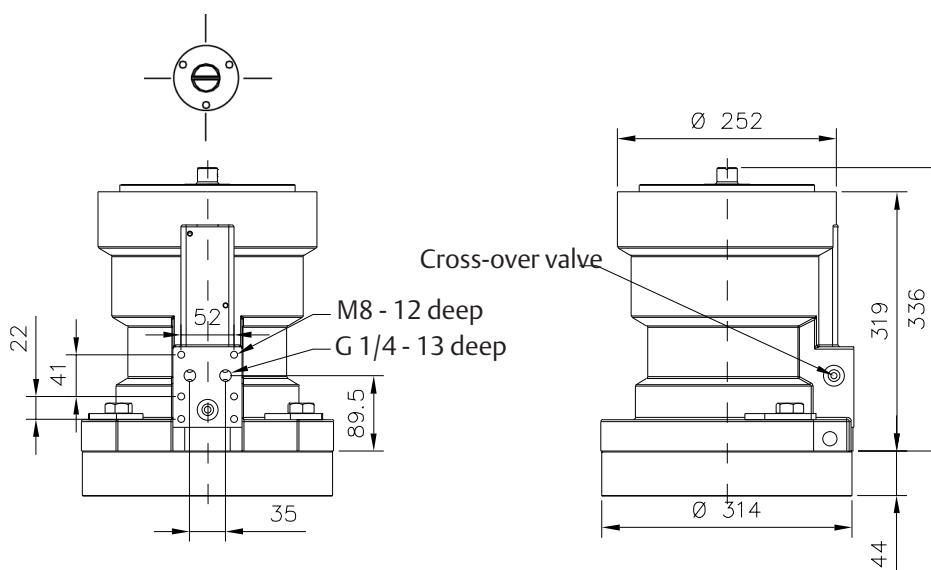


Main Data

Recommended working pressure range	30 to 135 bar
Burst test	675 bar
Total dry weight incl. mounting set (26.9 kg)	108 kg
Oil displacement	1.6 l
Temperature range	Normal application: -25°C to +80°C (NBR Seal set) High temperature application: -20°C to +120°C (Viton® Seal set) Low temperature application: -45°C to +40°C (T.L.T. NITRIL Seal set)
Rotation	90° ± 1°
Hydraulic media and viscosities	We recommend acid-free hydraulic oil. Viscosity range: 15-200 cSt. For recommended brands and for other media than oil please refer to separate data sheet.

Main Dimensions

Actuator shown in closed position.
A port: Close (clockwise seen from above),
B port: Open.



All dimensions in mm

Valve adaption:

Adjustment screw, torque: 50 Nm

6.5° 6.5°

Valve shaft intrusion: 105

Approx. 5° Adapter

Intermediate flange

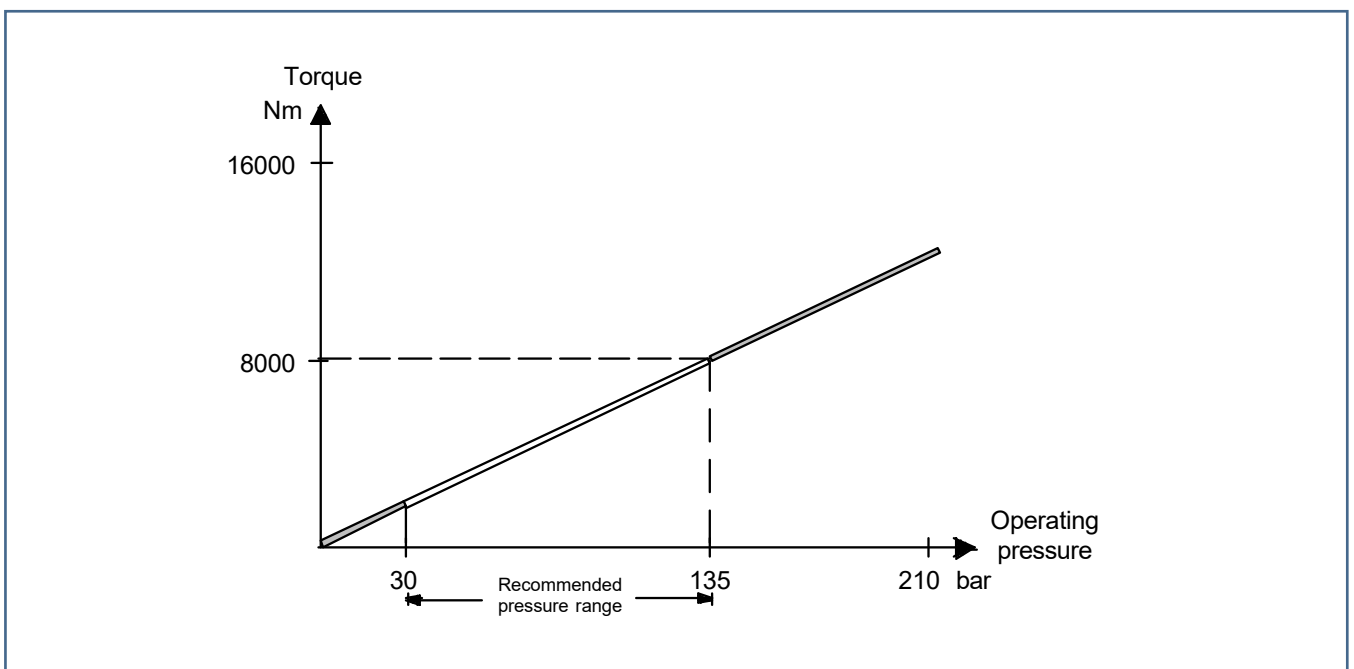
Fastning nut, torque: 320 Nm

All dimensions in mm

Limits for the machining of the adapter. Other shapes and valve intrusion on request, please contact Damcos A/S.

Shape			
Machined acc. to:	DIN 6885	DIN 79	
mm (max.):	Ø 95	□ 80	

Performance



©2020 Emerson. All rights reserved.

The Emerson logo is a trademark and service mark of Emerson Electric Co. Damcos and the Damcos logotype are trademarks of Damcos A/S. Damcos is a member of the Emerson family of companies. All other marks are the property of their respective owners.

Emerson Automation Solutions

Damcos A/S
Aaderupvej 41
DK-4700 Naestved
T +45 5578 7200
F +45 5578 7272

www.Emerson.com/marine

The contents of this publication are presented for information purposes only, and while effort has been made to ensure their accuracy, they are not to be construed as warranties or guarantees, expressed or implied, regarding the products or services described herein or their use or applicability. Standard Terms and Conditions of Sale can be issued by contacting Damcos A/S. We reserve the right to modify or improve the designs and specifications of our products at any time without notice. Damcos A/S accepts no responsibility for any errors that may appear in this publication.