

# VIBRATOR TECHNICAL DATA SHEET

MODEL: MVS1 15/1710-S02 230/460V 60Hz 3PH

SERIE: AF FRAME SIZE: 50 P/N: 601219C

IP66

RPM 1800

## MECHANICAL CHARACTERISTICS

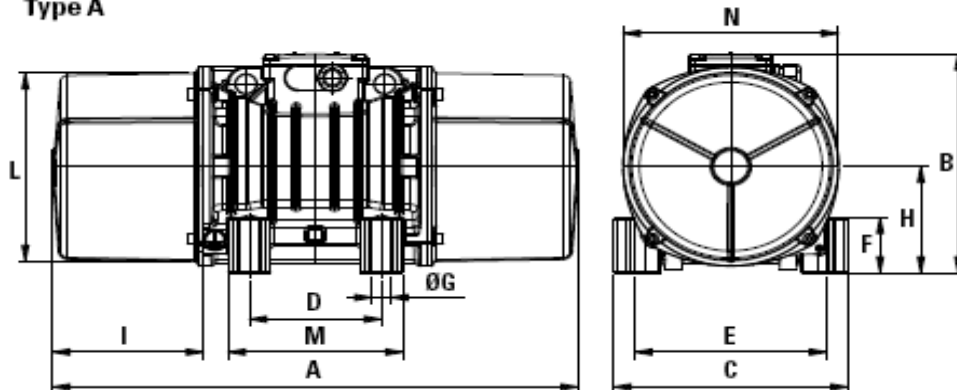
Weights Position %	Static moment		Centrifugal Force			Bearing Life w/1.3 Load Factor	Bearing Life w/1.0 Load Factor
	kgmm	in.-lb	kg	lb	kN		
100	485	42,2	1757	3865	17,2	32048	76690
90	437	38,0	1581	3479	15,5	45533	>100000
80	388	33,7	1406	3092	13,8	67427	>100000
70	340	29,5	1230	2706	12,1	>100000	>100000
60	291	25,3	1054	2319	10,3	>100000	>100000
50	243	21,1	879	1933	8,62	>100000	>100000
40	194	16,9	703	1546	6,89	>100000	>100000
30	146	12,7	527	1160	5,17	>100000	>100000
20	97	8,4	351	773	3,45	>100000	>100000
10	49	4,2	176	387	1,72	>100000	>100000

Weight:	42,5 kg (93,7 lb)	Bearing:	NJ 2308 E C4
Working Moment:	97 kgcm (84,4 in-lb)	Dynamic load:	28940 lb (13154 kg)
Max Static Moment:	485 kgmm (42,2 in-lb)	Lube schedule:	4500 hours

## ELECTRICAL CHARACTERISTICS

	230	460		in-lb	Nm
Nominal input voltage:	230	460	Nominal torque:	45,8	5,13
Nominal current (amps):	3,8	1,9	Start torque:	114	12,8
Start current (amps):	18,6	9,3	Maximum torque:	171	19,2
Start/Nom. current ratio:	4,89		Start/nom. torque ratio:	2,49	
Input power (watts):	1200		Max/nom. torque ratio:	3,72	
Output power (hp):	1,25		Starting time (sec):	1,35	
Service Factor:	1,0		Duty cycle:	continuous	
Efficiency:	77%		Max. Ambient Temp.:	+40°C (104 F)	
Slip:	5%		Inertia kgm <sup>2</sup> (lb-ft <sup>2</sup> ):	0,22358	6,2000
Power factor:	0,79		Inverter Duty:	20Hz to 60Hz	
Coil resist (Ω @ 20°C):	9,85				
Insulation class:	F				
Locked Rotor Code:	G				




Type A



	in.	mm
A:	19,69	500
B:	9,61	244
C:	9,06	230
D:	5,51	140
E:	7,48	190
ØG:	0,67	17
F:	1,77	45
H:	4,57	116
I:	5,28	134
L:	8,15	207
M:	7,48	190
N:	8,86	225

External cable diam.:	9 to 16 mm. 0,354 to 0,630 inch.
Serv. length req.per side:	134 mm (5,28 inch)
Mounting bolts:	M16 - (5/8")
Mounting bolt torque:	19 kgm (137 ft-lb)

### Approvals and certifications

	ATEX 2014/34/UE - IECEx - UK SI II2D Ex tb IIIC T135°C Db
	 CSA C22.2 N°100-95 Class 4211 01 Class II, Div. 2, Gr.FG, T3B TR CU 012/2011
	Cert. N° RU C-IT.HB07.B.00614/22 GB/T 3836.1-2021, 3836.31-2021 Ex tb IIIC T135°C Db
	