

Signal Conditioners



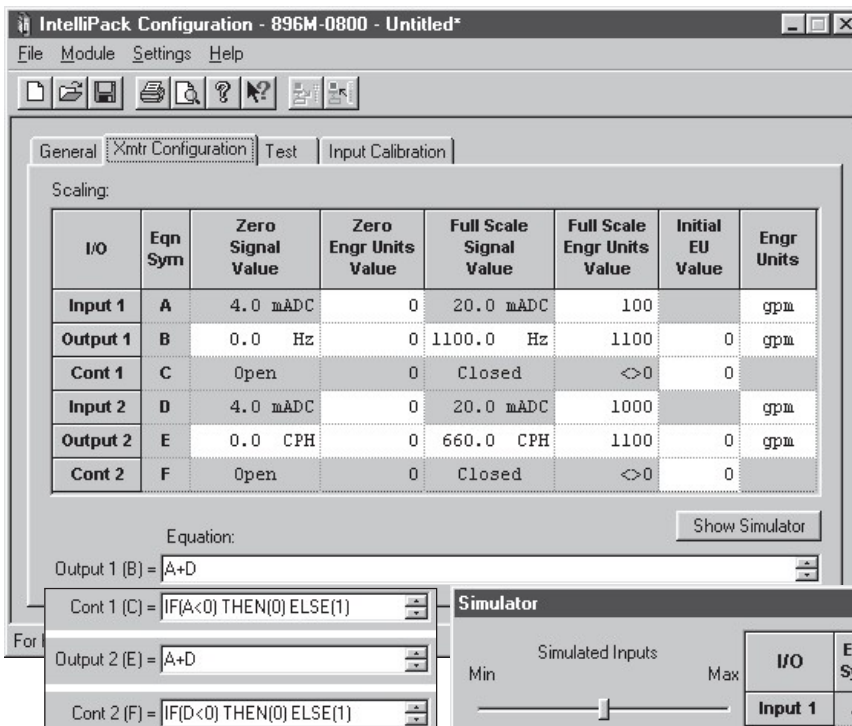
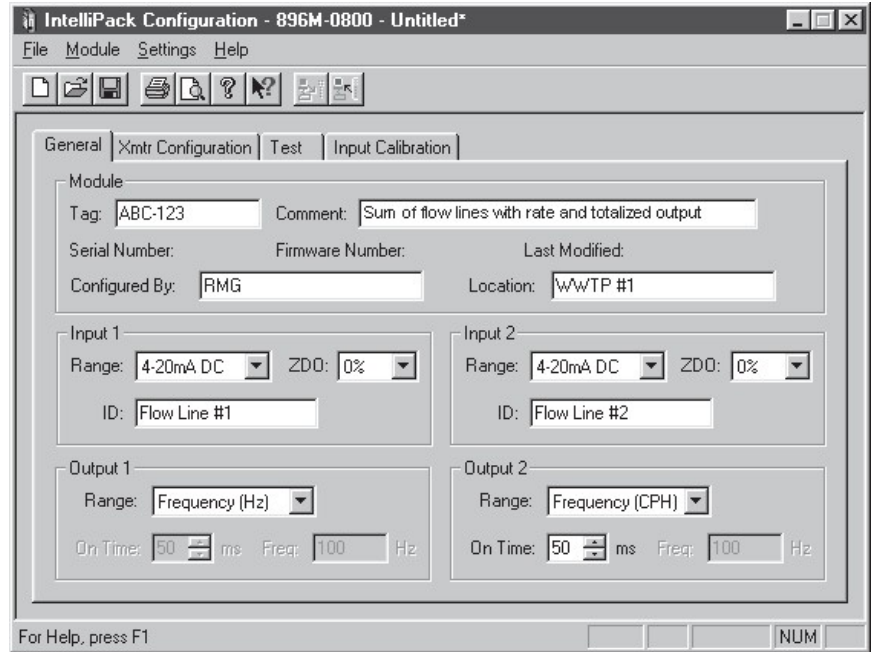
895/896M Frequency Output Math Modules

Application Example

Both models are designed for integrator/totalizer applications. The 896M is ideal for demand metering applications. With one high speed pulse output and one low speed output to a pulse counter, you can measure the sum, flow, rate, and total volume.

Configuration Procedures

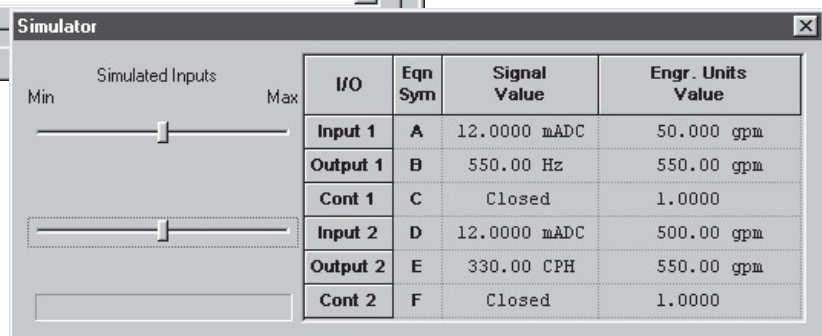
- 1) Enter optional tag identifiers and application information.
- 2) Select input ranges and zero dropout values from pull-down lists and identify the device.
- 3) Select output ranges from the pull-down menu and set the duty cycle (on-time).



The IntelliPack math module's configuration property sheet simplifies the entry of equations.

IntelliPack Configuration Software makes it very easy to set up your input and output ranges and other operational parameters.

- 4) Enter the scaling parameters in engineering units for input variables A and D.
- 5) Enter the frequency scaling parameters for outputs B and E.
- 6) Enter the initial start-up conditions for outputs B, C, E, and F in engineering units.
- 7) Enter up to four 50-character equations in the scroll-down fields to define each output.
- 8) Use the I/O equation simulator (shown below) to verify the expected results for various field conditions.



The pop-up simulator sheet helps you test equations in software with slider bars to simulate input conditions.

Signal Conditioners



Real Time Monitoring

895/896M Frequency Output Math Modules

Models

895M-0800: Single I/O channel
896M-0800: Dual I/O channels

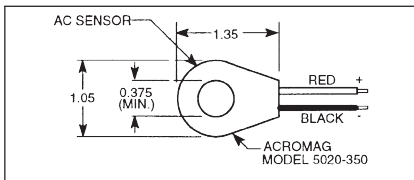
Input Ranges

0 to 1mA, 0 to 20mA, or 4 to 20mA DC
0 to 5V or 0 to 10V DC
0 to 20A AC (with AC current sensor)

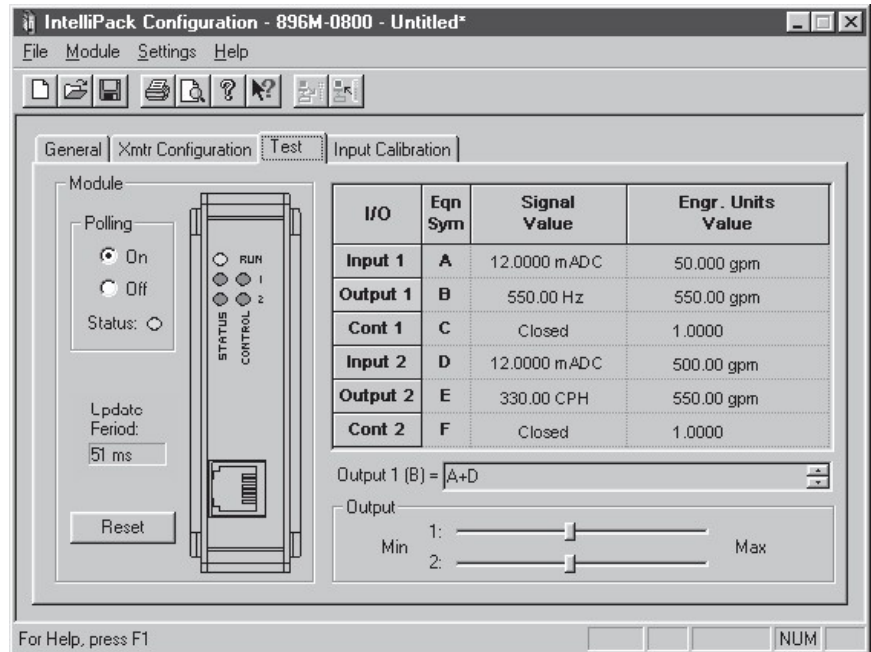
Output Ranges

0 to 36,000 pulse counts per hour,
0 to 10KHz Open-drain MOSFETs (60V DC @ 1A),
Solid-state relays (60V DC @ 500mA)

High-voltage open-drain outputs interface to a variety of discrete level devices and to TTL level systems with the use of internal 5V pull-ups.



AC Current Sensor Model 5020-350 (ordered separately)



The test property sheet continuously displays polled information and input/output signal values for easy troubleshooting and diagnostic checkout.

Arithmetic Functions

Function	Equation
Addition	$A + D$
Subtraction	$A - D$
Multiplication	$4 * A - 6 * D$
Division	$(A/4 + D/2) / 8$
Square Root	$SQRT(A + D)$
Absolute Value	$ABS(A - D)$
Exponential	$EXP(2 * A) = e^{2A}$
Power	$POWER(A, D) = A^D$
Natural Log	$LN(A + D)$
Log Base 10	$LOG10(A/D)$
SIN, COS, TAN, ASIN, ACOS, ATAN	$SIN(A - D)$ $ACOS(A * D)$
Minimum	$MIN(A/2, 3 * D)$
Maximum	$MAX((A - D)/4, A + D)$

Conditional

Function	Equation
If, Then, Else, And, Or	$IF(A > D) THEN (2 * B)$
>, <, <>, =, >=, <=	$IF(OR(A = D, D <= 4 * A)) THEN (E/2)$

Track & Hold Function

Discrete inputs on the math module accept logic level signals from PLCs and other devices to hold the associated output constant at the last known value. This function is helpful in determining conditions at the time of a critical event.

Signal Conditioners



895/896M Performance Specs

General

Analog to Digital Converter (ADC)
16-bit Σ - Δ A/D converter.

Input Accuracy

Better than $\pm 0.05\%$ of input span.

Input Zero Dropout Threshold

0 to 10% of input span, user-defined.

Ambient Temperature Effect

Better than $\pm 0.005\%$ of input span per $^{\circ}\text{C}$ or $\pm 1\mu\text{V}$, whichever is greater.

Noise Rejection

Normal Mode: Better than 40dB @ 60Hz.
Common Mode: Better than 100dB @ 60Hz.

Input Overvoltage Protection

Bipolar Transient Voltage Suppressors (TVS).

Input Scaling

Input signal endpoints are scaled using IntelliPack Configuration Software.

Response Time (for input step change)

70ms typical to 98% of final output value.

DC Current Inputs

DC Current Input Ranges

0 to 1mA, 0 to 20mA, 4 to 20mA DC.

DC Current Input Impedance

49.9 ohms.

DC Voltage Inputs

DC Voltage Input Ranges

0 to 5V, 0 to 10V DC.

DC Voltage Input impedance

Greater than 500K ohms.

Frequency Output

Output Type

Open-drain MOSFETs, 60V DC @ 1A DC.
On resistance: 0.2 ohms.

Frequency Range

0 to 10KHz (100% scalable) or
0 to 36,000 counts per hour (CPH).

Output Scaling

Output signal endpoints are scaled using IntelliPack Configuration Software. Output frequency is limited from a minimum span of 0-10Hz to a maximum span of 0-10KHz or from 0-10CPH to 0-36000 CPH.

Output Pullups

470 ohms to 5V via pullup terminals.
60V DC with external pullup resistor.

Output Duty Cycle

User-defined on-time from 0 to 100% of frequency range.

Relay Control Outputs

Solid-State Relay

Form A normally-open switch.
Maximum current: 500mA DC.
Maximum off-state voltage: 60V DC.
Maximum on-state resistance: 0.7 ohms.

Environmental

Ambient Temperature

Operating: -25 to 70°C (-13 to 158°F).
Storage: -40 to 85°C (-40 to 185°F).

Relative Humidity

5 to 95%.

Power Requirements

10 to 36V DC. 55mA @ 24V.

Isolation (optical)

4-way (input/output/relays/power).
Input circuits share a common.
1500V AC peak or 250V AC (354V DC) continuous.

Radiated Field Immunity (RFI)

EN61000-4-3, EN50082-1.

Electromagnetic Field Immunity (EMI)

Less than $\pm 0.25\%$ of output span effect under the influence of electromagnetic fields from switching solenoids, commutator motors, and drill motors.

Electrical Fast Transient (EFT)

EN61000-4-4, EN50082-1.

Surge Withstanding Capability (SWC)

EN61000-4-5, EN50082-1.

Electrostatic Discharge (ESD)

EN61000-4-2, EN50082-1.

Radiated Emissions

EN50081-1 for Class B equipment.

Approvals

UL listed (USA, Canada).
UL3121 - general product safety.

Configuration

Software Configuration

Units are fully programmable via the Windows XP/Vista/7 IntelliPack Configuration Program. Configuration downloads from PC through EIA232 serial port using Acromag 800C-SIP kit.

LED Indicators

LEDs indicate power, status, and relay.

Physical

Enclosure

Case: Self-extinguishing NYLON type 6.6 polyamide thermoplastic UL94 V-2 NEMA Type 1 enclosure.

Connectors (Removable Terminal Blocks)

Wire Range: AWG #14-24.

Printed Circuit Boards

Military grade FR-4 epoxy glass circuit board.

Dimensions

1.05W x 4.68H x 4.35D inches.
26.7W x 118.9H x 110.5D millimeters.

Shipping Weight

1 pound (0.45 Kg) packed.

Ordering Information

IMPORTANT: All IntelliPack units require initial software configuration (order 800C-SIP). See Note 1 below.

895M-0800

Single channel math module with one frequency output and one control/relay output.

896M-0800

Dual channel math module with two frequency outputs and two control/relay outputs.

5020-350

AC current sensor. Required for AC inputs..

800C-SIP

Software Interface Package.

Only one kit is required for all IntelliPack models. See diagram on Page 83 for included parts.

4001-095

USB-to-Serial adapter

PS5R-VD24

Power supply (24V DC, 2.1A)

TBK-B02

Optional terminal block kit, barrier strip style, 4 pcs.

TBK-S02

Optional terminal block kit, spring clamp style, 4 pcs.

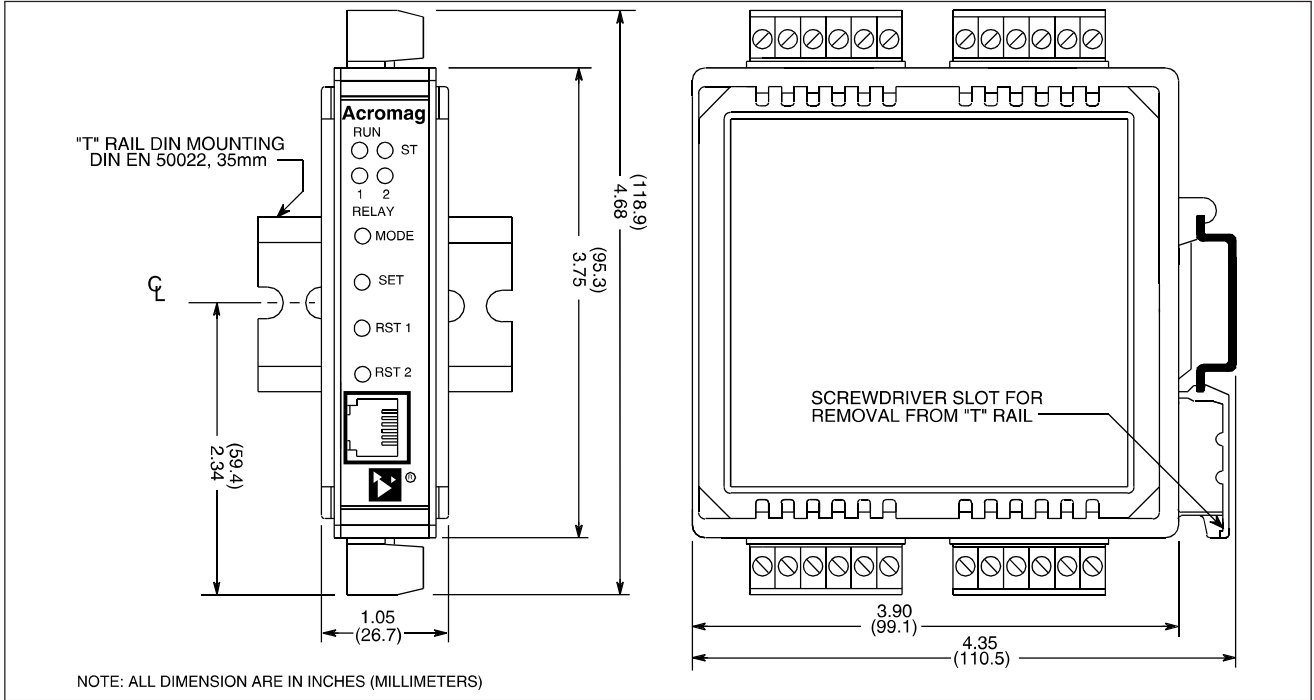
NOTE 1: To order factory configuration, call Acromag for a configuration form which must accompany your order. Also, append "-C" to model number (example: 892M-0500-C). 800C-SIP kit is still recommended.



Optional terminal blocks: barrier strip (left) and spring clamp (right). Cage clamp terminal is standard.



Dimensions



Signal Conditioners



Accessories

Terminal Blocks

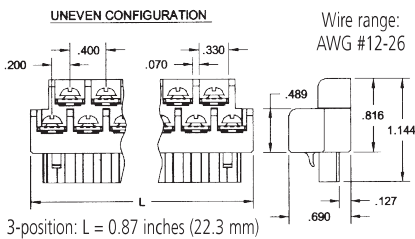
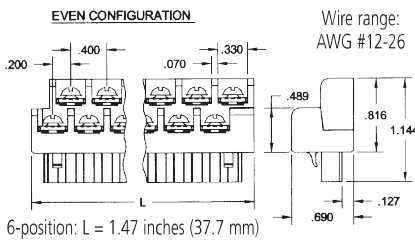


Barrier strip (left) and spring clamp (right).

Ordering Information

See individual I/O modules for compatibility.

Barrier Strip Terminal Blocks

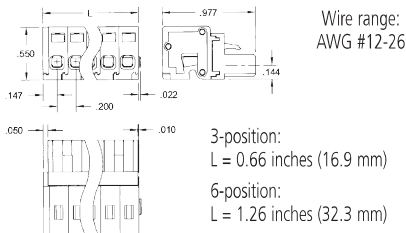


TBK-B01
Terminal block kit, two 6-position pieces

TBK-B03
Terminal block kit, one 3-position and three 6-position pieces

TBK-B02
Terminal block kit, four 6-position pieces

Spring Clamp Terminal Blocks



TBK-S01
Terminal block kit, two 6-position pieces

TBK-S03
Terminal block kit, one 3-position and three 6-position pieces

TBK-S02
Terminal block kit, four 6-position pieces

Mounting Hardware



DIN-Rail Mounting

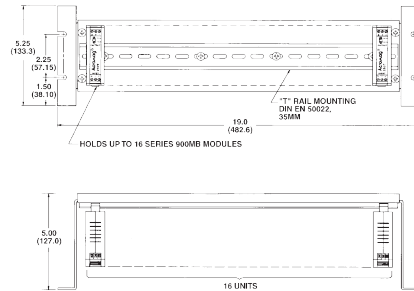
For your convenience, Acromag offers several mounting accessories to simplify your system installation. Our 19" rack-mount kit provides a clean solution for mounting your I/O modules and a power supply. Or you can buy precut DIN rail strips for mounting on any flat surface.

Ordering Information

20RM-16-DIN: 19" rack-mount kit with DIN rail.

DIN RAIL 3.0
DIN RAIL 16.7

DIN rail strip, Type T, 3 inches (75mm) or 16.7 inches (425mm)



Power Supplies



50W Supply

Input Power Requirement

85 to 264V AC or 105 to 370V DC

Output

24V DC, 2.1A (50W)

Ordering Information

P55R-VD24: Universal 50W power supply

USB to Serial Adapter

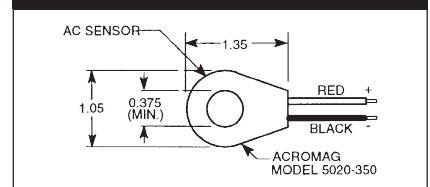


Data Rate: Up to 115.2Kbps
RoHS-compliant
PC Requirements:
Windows® 7 and newer

Ordering Information

4001-095: USB-to-Serial adapter

AC Current Sensor



Ordering Information

5020-350: AC current sensor

IntelliPack® 800 Series



Math/Computation



890M Units

Model Types

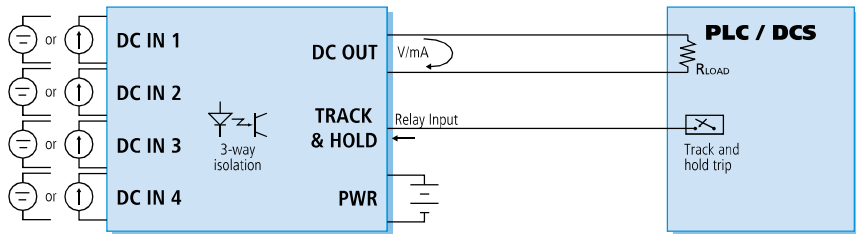
- **892M:** Dual DC voltage/current input with universal DC voltage/current output
- **894M:** Quad DC voltage/current input with universal DC voltage/current output
- **895M:** Single DC voltage/current input with frequency/pulse output
- **896M:** Dual DC voltage/current input with frequency/pulse output

Functions

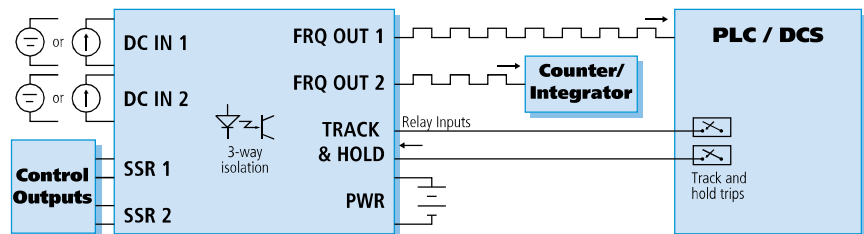
32-bit floating point math processing ensures precise computing for highly accurate output.

- Add, subtract, multiply, divide
- Square root
- Exponential (e^n) and power (X^n)
- Logarithmic (natural and base 10)
- Sine, cosine, tangent, and inverse
- Absolute value
- Minimum/maximum
- Conditional arguments (if, then, else, and, or, >, <, <>, =, <=, >=)
- Input scaling
- High/low signal selector or discriminator
- Track and hold

DC to DC Conversion: 892/894M Math Modules



DC to Frequency Conversion: 895/896M Math Modules



Description

IntelliPack math modules perform complex mathematical computations and convert DC input signals to scaled DC or frequency outputs. They are ideal for isolating and interfacing analog signals to a PLC or controller as a voltage, current, or a pulsed input. Typical applications include calculating a sum, delta's, average, flow rate, volume, weight, power, and other scaled or computed variables.

Math modules are available with either DC voltage/current output or frequency/pulse-width modulated output. The frequency output models also provide two solid-state relays for control or alarm functions. Each output (DC, frequency, and relay channels) is controlled by a unique, user-defined equation. On relay output channels, zero/nonzero equation results and true/false conditions control the on/off state.

Frequency output models are ideal for integrator/totalizer applications. They support ultra-low frequency pulses as slow as 10 cph. And, adjustable zero dropout levels apply a minimum input threshold to filter noise and unwanted pulses.

The math/computation equations are entered into the IntelliPack configuration software in a freeform format, the same as in most popular spreadsheet programs. A simulator screen provides instant feedback to test equations and see the output response before actual installation.

Special Features

- Universal DC analog I/O ranges provide flexibility for changing application requirements.
- Individual channel input/output scaling displays signal values in engineering units.
- Track and hold function enables easy identification of critical events and their corresponding signal values.
- 200-character equation fields (50-char. max. on 895/896M) support complex transfer functions.
- Software simulation feature allows off-line testing of equations to quickly check output signal response for a variety of conditions.
- Excitation supply for two 2-wire transmitters provides 15V DC @ 48mA to eliminate need for additional power supplies. 892/894M only.
- Diagnostic LEDs provide quick, visual indication of an out-of-range input value.

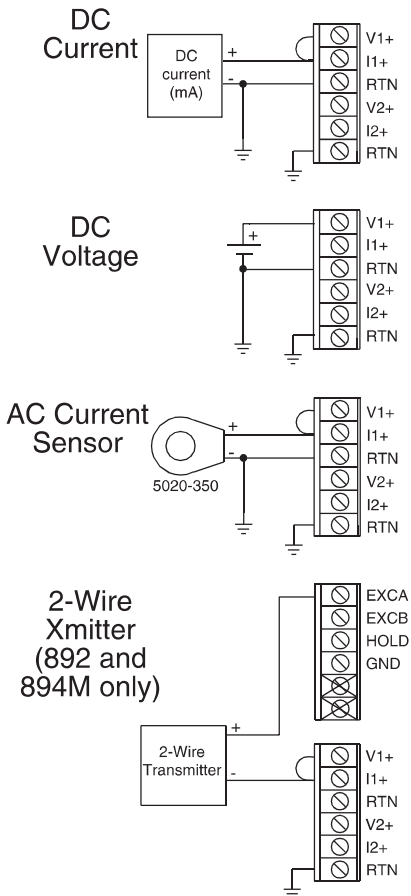
Frequency output models (895/896M) only

- Pulse output supports integrator and totalizer applications using an external counter to calculate flow, volume, weight, power, etc.
- Pulse-width modulation capability allows the user to vary the output signal's pulse width on a user-defined carrier frequency.
- Solid-state relays provide on/off control or local alarms with failsafe/ nonfailsafe capability.

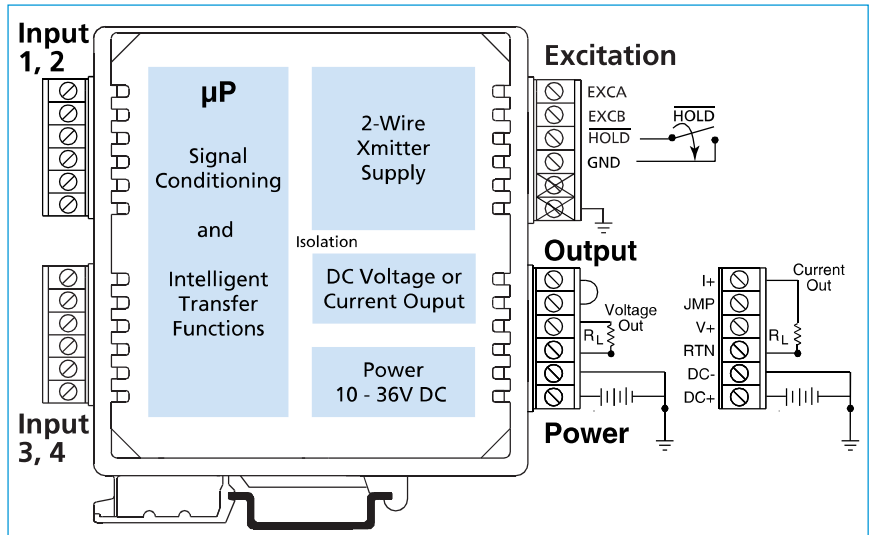
Signal Conditioners



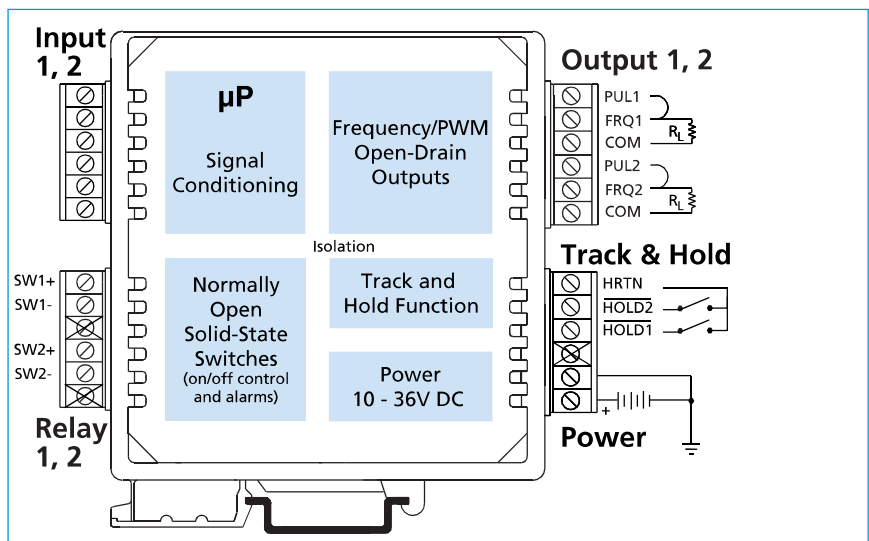
Input Connections



892/894M DC Output Math Module



895/896M Frequency Output Math Module



IntelliPack Features

- Advanced microcontroller has integrated, downloadable flash memory and EEPROM for intelligent signal processing.
- Windows 95/98/ME/NT/XP/2000 software configuration speeds setup and replacement.
- Plug-in terminal blocks make module installation and removal easy.
- Built-in self-diagnostic routines operate upon power-up and during operation for easy maintenance and troubleshooting.
- 3-way optical isolation separates inputs, outputs, and power from each other.
- EMC compliant. Ruggedized circuitry meets directives to provide increased transient immunity and low emissions.
- Wide ambient temperature range ensures reliable performance from -25 to 70°C.
- Wide DC supply range has diode-coupled reverse polarity protection.