

ACCUEVERGY

AcuCT R Series

Revenue Grade Split-Core Current Transformer



D A T A S H E E T

AcuCT R Series

AcuCT-075R

Revenue Grade Split-Core
Current Transformer Datasheet



The AcuCT R Series CTs are premium, revenue grade split-core current transformers with a selection output options and class-leading accuracy. UL2808 Listed for guaranteed safety and quality, the AcuCT R Series combines a compact, durable form factor with a sturdy latch for added assurance in challenging applications. Installation is straightforward thanks to the user-friendly, press-open design.

Features

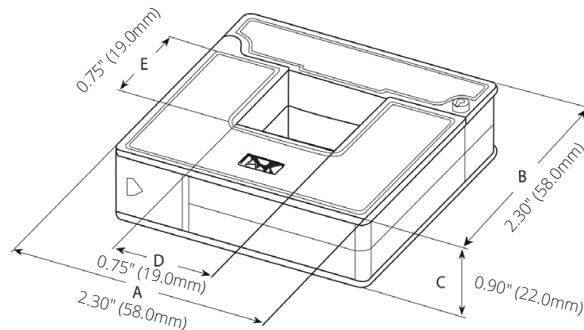
- Revenue grade accuracy: 0.5% (from 5% to 120% of rated current)
- Choose from multiple secondary output options including 80mA and 333mV
- The press-open design helps to speed and simplify installation
- Includes accessories for several mounting options
- UL Listed for XOBA UL2808 standard, CSA C22.2 No. 61010-1



Specifications

RATED CURRENT	
Rated Current	50A, 75A, 100A, 150A
Current Range	5%–120% of Rated Current
Output	80mA, 100mA, 200mA, 333mV
Accuracy	0.5%
MECHANICAL/ENVIRONMENTAL	
Form Factor	Press Open Split-Core CT
Window Size	19.0mm x 19.0mm (0.75" x 0.75")
Exterior Dimensions	58.0mm x 58.0mm x 22.0mm 2.30" x 2.30" x 0.90"
Case Material	UL Enclosure Rated to 135°C (275°F)
Lead Wires	2.5m (8ft) UL 1015 18AWG
Operating Temperature	-25°C to 70°C / -13°F to 158°F
Operating Humidity	Non-Condensing, 0 to 95% RH
Installation Conditions	Indoor Use
ELECTRICAL	
Wire Polarity	White=Positive, Black=Negative
Phase Orientation	Arrow Points Towards Load
Frequency Range	50/60Hz
Output Resistance (Voltage Output) @80mA, 100mA, 200mA	80mA, 100mA: 10Ω 200mA: 10 Ω@100A,150A
SAFETY/COMPLIANCE	
Withstand Voltage	5.0kV / 1mA / 1min
Rated Voltage	600VAC, Rated CAT III
Certifications	CE, RoHS, UL Listed UL2808 (E469633) IEC 61010-1 and CSA 22.2

Dimensions



Typical Parameter

MODEL	CURRENT RATIO	ACCURACY CLASS	BURDEN / RESISTANCE	LEAD LENGTH
AcuCT-075R-50: 80mA	50/80mA	1.00%	10Ω	2.5m
AcuCT-075R-75: 80mA	75/80mA	1.00%	10Ω	2.5m
AcuCT-075R-100: 80mA	100/80mA	1.00%	10Ω	2.5m
AcuCT-075R-150: 80mA	150/80mA	1.00%	10Ω	2.5m
AcuCT-075R-50: 100mA	50/100mA	1.00%	10Ω	2.5m
AcuCT-075R-75: 100mA	75/100mA	1.00%	10Ω	2.5m
AcuCT-075R-100: 100mA	100/100mA	1.00%	10Ω	2.5m
AcuCT-075R-150: 100mA	150/100mA	1.00%	10Ω	2.5m
AcuCT-075R-100: 200mA	100/200mA	1.00%	10Ω	2.5m
AcuCT-075R-150: 200mA	150/200mA	1.00%	10Ω	2.5m
AcuCT-075R-50: 333mV	50/333mV	1.00%		2.5m
AcuCT-075R-75: 333mV	75/333mV	1.00%		2.5m
AcuCT-075R-100: 333mV	100/333mV	0.50%		2.5m
AcuCT-075R-150: 333mV	150/333mV	0.50%		2.5m



Accuenergy Inc.

Los Angeles - Toronto - Pretoria

North America Toll Free: 1-877-721-8908

Web: www.accuenergy.com

Email: marketing@accuenergy.com

Revision Date: March 2026 Version: 1.0.5

Specs Subject To Change Without Notice.

Ordering Information

Model	-	Rated Input	:	Rated Output
AcuCT-075R		50: 50A		333 mV
		75: 75A		80mA
		100: 100A		100mA
		150: 150A		200mA
Ordering Example		AcuCT-075R		- 50 : 333mV

AcuCT R Series

AcuCT-100R

Revenue Grade Split-Core
Current Transformer Datasheet



The AcuCT R Series CTs are premium, revenue grade split-core current transformers with a selection output options and class-leading accuracy. UL2808 Listed for guaranteed safety and quality, the AcuCT R Series combines a compact, durable form factor with a sturdy latch for added assurance in challenging applications. Installation is straightforward thanks to the user-friendly, press-open design.

Features

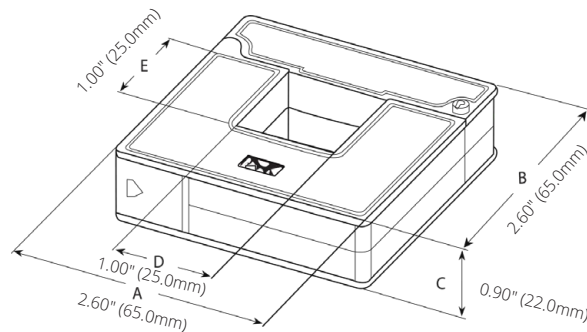
- Revenue grade accuracy: 0.5% (from 5% to 120% of rated current)
- Choose from multiple voltage or current secondary output options including 80mA and 333mV
- The press-open design helps to speed and simplify installation
- Includes accessories for several mounting options
- UL Listed for XOBA UL2808 standard, CSA C22.2 No. 61010-1



Specifications

RATED CURRENT	100A, 150A, 200A, 250A
Current Range	5%–120% of Rated Current
Output	80mA, 100mA, 200mA, 333mV
Accuracy	0.5%
MECHANICAL/ENVIRONMENTAL	
Form Factor	Press Open Split-Core CT
Window Size	25.0mm x 25.0mm (1.00" x 1.00")
Exterior Dimensions	65.0mm x 65.0mm x 22.0mm 2.60" x 2.60" x 0.90"
Case Material	UL Enclosure Rated to 135°C (275°F)
Lead Wires	2.5m (8ft) UL 1015 18AWG
Operating Temperature	-25°C to 70°C / -13°F to 158°F
Operating Humidity	Non-Condensing, 0 to 95% RH
Installation Conditions	Indoor Use
ELECTRICAL	
Wire Polarity	White=Positive, Black=Negative
Phase Orientation	Arrow Points Towards Load
Frequency Range	50/60Hz
Output Resistance (Voltage Output) @ 80mA, 100mA, 200mA	10Ω
SAFETY/COMPLIANCE	
Withstand Voltage	5.0KV / 1mA / 1min
Rated Voltage	600VAC, Rated CAT III
Certifications	CE, RoHS, UL Listed UL2808 (E469633) IEC 61010-1 and CSA 22.2

Dimensions



Typical Parameter

MODEL	CURRENT RATIO	ACCURACY CLASS	BURDEN / RESISTANCE	LEAD LENGTH
AcuCT-100R-100: 80mA	100/80mA	1.00%	10Ω	2.5m
AcuCT-100R-150: 80mA	150/80mA	1.00%	10Ω	2.5m
AcuCT-100R-200: 80mA	200/80mA	1.00%	10Ω	2.5m
AcuCT-100R-250: 80mA	250/80mA	0.50%	10Ω	2.5m
AcuCT-100R-100: 100mA	100/100mA	1.00%	10Ω	2.5m
AcuCT-100R-150: 100mA	150/100mA	1.00%	10Ω	2.5m
AcuCT-100R-200: 100mA	200/100mA	1.00%	10Ω	2.5m
AcuCT-100R-250: 100mA	250/100mA	0.50%	10Ω	2.5m
AcuCT-100R-100: 200mA	100/200mA	1.00%	10Ω	2.5m
AcuCT-100R-150: 200mA	150/200mA	1.00%	10Ω	2.5m
AcuCT-100R-200: 200mA	200/200mA	1.00%	10Ω	2.5m
AcuCT-100R-250: 200mA	250/200mA	1.00%	10Ω	2.5m
AcuCT-100R-100: 333mV	100/333mV	0.50%		2.5m
AcuCT-100R-150: 333mV	150/333mV	0.50%		2.5m
AcuCT-100R-200: 333mV	200/333mV	0.50%		2.5m
AcuCT-100R-250: 333mV	250/333mV	0.50%		2.5m



Accuenergy Inc.

Los Angeles - Toronto - Pretoria

North America Toll Free: 1-877-721-8908

Web: www.accuenergy.com

Email: marketing@accuenergy.com

Revision Date: March 2026 Version: 1.0.5

Specs Subject To Change Without Notice.

Ordering Information

Model	-	Rated Input	:	Rated Output
AcuCT-100R		100: 100A		333mV
		150: 150A		80mA
		200: 200A		100mA
		250: 250A		200mA
Ordering Example		AcuCT-100R		- 100 : 333mV

AcuCT R Series

AcuCT-125R

Revenue Grade Split-Core Current Transformer Datasheet



The AcuCT R Series CTs are premium, revenue grade split-core current transformers with a selection output options and class-leading accuracy. UL2808 Listed for guaranteed safety and quality, the AcuCT R Series combines a compact, durable form factor with a sturdy latch for added assurance in challenging applications. Installation is straightforward thanks to the user-friendly, press-open design.

Features

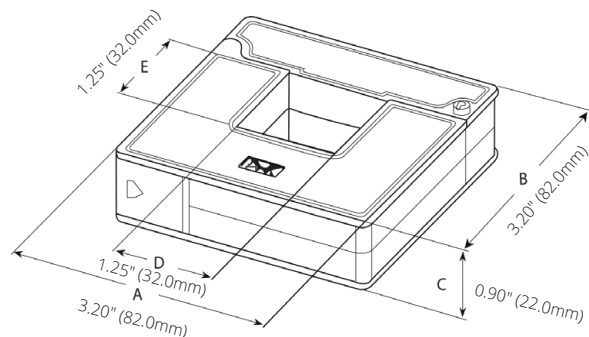
- Revenue grade accuracy: 0.5% (from 5% - 120% of rated current)
- Choose from multiple voltage or current secondary output options including 1A and 333mV
- The press-open design helps to speed and simplify installation
- Includes accessories for several mounting options



Specifications

RATED CURRENT	
Rated Current	100A, 150A, 200A, 250A, 300A, 400A
Current Range	5% -120% of Rated Current
Output	1A, 80mA, 100mA, 200mA, 333mV
Accuracy	0.5%
MECHANICAL/ENVIRONMENTAL	
Form Factor	Press Open Split-Core CT
Window Size	32.0mm x 32.0mm (1.25" x 1.25")
Exterior Dimensions	82.0mm x 82.0mm x 22.0mm 3.20" x 3.20" x 0.90"
Case Material	UL Enclosure Rated to 135°C (275°F)
Lead Wires	2.5m (8ft) UL 1015 18AWG
Operating Temperature	-25°C to 70°C / -13°F to 158°F
Operating Humidity	Non-Condensing, 0 to 95% RH
Installation Conditions	Indoor Use
ELECTRICAL	
Wire Polarity	White=Positive, Black=Negative
Phase Orientation	Arrow Points Towards Load
Frequency Range	50/60Hz
Output Resistance (Voltage Output) @ 80mA, 100mA, 200mA, burden@1A	80mA, 100mA, 200mA (150A-400A): 10Ω / 1A: 1.25VA (150A-400A)
SAFETY/COMPLIANCE	
Withstand Voltage	5.0KV / 1mA / 1min
Rated Voltage	600VAC, Rated CAT III
Certifications	CE, RoHS, UL Listed UL2808 (E469633) IEC 61010-1 and CSA 22.2

Dimensions



Typical Parameter

MODEL	CURRENT RATIO	ACCURACY CLASS	BURDEN / RESISTANCE	LEAD LENGTH
AcuCT-125R-100: 80mA	100/80mA	1.00%	10Ω	2.5m
AcuCT-125R-150: 80mA	150/80mA	1.00%	10Ω	2.5m
AcuCT-125R-200: 80mA	200/80mA	0.50%	10Ω	2.5m
AcuCT-125R-250: 80mA	250/80mA	0.50%	10Ω	2.5m
AcuCT-125R-300: 80mA	300/80mA	0.50%	10Ω	2.5m
AcuCT-125R-400: 80mA	400/80mA	0.50%	10Ω	2.5m
AcuCT-125R-100: 100mA	100/100mA	1.00%	10Ω	2.5m
AcuCT-125R-150: 100mA	150/100mA	0.50%	10Ω	2.5m
AcuCT-125R-200: 100mA	200/100mA	0.50%	10Ω	2.5m
AcuCT-125R-250: 100mA	250/100mA	0.50%	10Ω	2.5m
AcuCT-125R-300: 100mA	300/100mA	0.50%	10Ω	2.5m
AcuCT-125R-400: 100mA	400/100mA	0.50%	10Ω	2.5m
AcuCT-125R-150: 200mA	150/200mA	1.00%	10Ω	2.5m
AcuCT-125R-200: 200mA	200/200mA	1.00%	10Ω	2.5m
AcuCT-125R-250: 200mA	250/200mA	1.00%	10Ω	2.5m
AcuCT-125R-300: 200mA	300/200mA	0.50%	10Ω	2.5m
AcuCT-125R-400: 200mA	400/200mA	0.50%	10Ω	2.5m
AcuCT-125R-100: 333mV	100/333mV	0.50%		2.5m
AcuCT-125R-150: 333mV	150/333mV	0.50%		2.5m
AcuCT-125R-200: 333mV	200/333mV	0.50%		2.5m
AcuCT-125R-250: 333mV	250/333mV	0.50%		2.5m
AcuCT-125R-300: 333mV	300/333mV	0.50%		2.5m
AcuCT-125R-400: 333mV	400/333mV	0.50%		2.5m
AcuCT-125R-150: 1A	150/1A	1.00%	1.25VA	2.5m
AcuCT-125R-200: 1A	200/1A	1.00%	1.25VA	2.5m
AcuCT-125R-250: 1A	250/1A	1.00%	1.25VA	2.5m
AcuCT-125R-300: 1A	300/1A	0.50%	1.25VA	2.5m
AcuCT-125R-400: 1A	400/1A	0.50%	1.25VA	2.5m

Ordering Information

Model	-	Rated Input	:	Rated Output
AcuCT-125R		100:100A		333mV
		150: 150A		80mA
		200: 200A		100mA
		250: 250A		200mA
		300: 300A		1A
		400: 400A		

Ordering Example AcuCT-125R - 200 : 333mV



Accuenergy Inc.

Los Angeles - Toronto - Pretoria
 North America Toll Free: 1-877-721-8908
 Web: www.accuenergy.com
 Email: marketing@accuenergy.com

Revision Date: March 2026 Version: 1.0.5
 Specs Subject To Change Without Notice.

AcuCT R Series

AcuCT-200R

Revenue Grade Split-Core
Current Transformer Datasheet



The AcuCT R Series CTs are premium, revenue grade split-core current transformers with a selection output options and class-leading accuracy. UL2808 Listed for guaranteed safety and quality, the AcuCT R Series combines a compact, durable form factor with a sturdy latch for added assurance in challenging applications. Installation is straightforward thanks to the user-friendly, press-open design.

Features

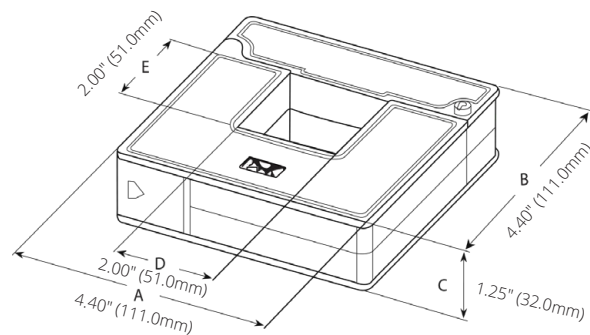
- Revenue grade accuracy: IEC 61869-2 Class 0.5 (from 5% - 120% of rated current)
- Choose from multiple secondary output options including 1A and 333mV
- The press-open design helps to speed and simplify installation
- Includes accessories for several mounting options



Specifications

RATED CURRENT	
Current Range	400A, 500A, 600A, 800A, 1000A
Output	5%-120% of Rated Current
Accuracy	1A, 80mA, 100mA, 200mA, 333mV
	IEC 61869-2 Class 0.5
MECHANICAL/ENVIRONMENTAL	
Form Factor	Press Open Split-Core CT
Window Size	51.0mm x 51.0mm (2.00" x 2.00")
Exterior Dimensions	111.0mm x 111.0mm x 32.0mm 4.40" x 4.40" x 1.25"
Case Material	UL Enclosure Rated to 135°C (275°F)
Lead Wires	2.5m (8ft) UL 1015 18AWG
Operating Temperature	-25°C to 70°C / -13°F to 158°F
Operating Humidity	Non-Condensing, 0 to 95% RH
Installation Conditions	Indoor Use
ELECTRICAL	
Wire Polarity	White=Positive, Black=Negative
Phase Orientation	Arrow Points Towards Load
Frequency Range	50/60Hz
Output Resistance (Voltage Output) @ 80mA, 100mA, 200mA, burden@1A	80mA, 100mA, 200mA: 10Ω / 1A: 1.25VA
SAFETY/COMPLIANCE	
Withstand Voltage	5.0KV / 1mA / 1min
Rated Voltage	600VAC, Rated CAT III
Certifications	CE, RoHS, UL Listed UL2808 (E469633) IEC 61010-1 and CSA 22.2 IEC 61869-2

Dimensions



Typical Parameter

MODEL	CURRENT RATIO	ACCURACY CLASS	BURDEN / RESISTANCE	LEAD LENGTH
AcuCT-200R-400: 80mA	400/80mA	0.50%	10Ω	2.5m
AcuCT-200R-500: 80mA	500/80mA	0.50%	10Ω	2.5m
AcuCT-200R-600: 80mA	600/80mA	IEC 61869-2 Class 0.5	10Ω	2.5m
AcuCT-200R-800: 80mA	800/80mA	IEC 61869-2 Class 0.5	10Ω	2.5m
AcuCT-200R-1000: 80mA	1000/80mA	IEC 61869-2 Class 0.5	10Ω	2.5m
AcuCT-200R-400: 100mA	400/100mA	0.50%	10Ω	2.5m
AcuCT-200R-500: 100mA	500/100mA	0.50%	10Ω	2.5m
AcuCT-200R-600: 100mA	600/100mA	IEC 61869-2 Class 0.5	10Ω	2.5m
AcuCT-200R-800: 100mA	800/100mA	IEC 61869-2 Class 0.5	10Ω	2.5m
AcuCT-200R-1000: 100mA	1000/100mA	IEC 61869-2 Class 0.5	10Ω	2.5m
AcuCT-200R-400: 200mA	400/200mA	0.50%	10Ω	2.5m
AcuCT-200R-500: 200mA	500/200mA	0.50%	10Ω	2.5m
AcuCT-200R-600: 200mA	600/200mA	IEC 61869-2 Class 0.5	10Ω	2.5m
AcuCT-200R-800: 200mA	800/200mA	IEC 61869-2 Class 0.5	10Ω	2.5m
AcuCT-200R-1000: 200mA	1000/200mA	IEC 61869-2 Class 0.5	10Ω	2.5m
AcuCT-200R-400: 333mV	400/333mV	0.50%		2.5m
AcuCT-200R-500: 333mV	500/333mV	0.50%		2.5m
AcuCT-200R-600: 333mV	600/333mV	IEC 61869-2 Class 0.5		2.5m
AcuCT-200R-800: 333mV	800/333mV	IEC 61869-2 Class 0.5		2.5m
AcuCT-200R-1000: 333mV	1000/333mV	IEC 61869-2 Class 0.5		2.5m
AcuCT-200R-400: 1A	400/1A	0.50%	1.25VA	2.5m
AcuCT-200R-500: 1A	500/1A	0.50%	1.25VA	2.5m
AcuCT-200R-600: 1A	600/1A	0.50%	1.25VA	2.5m
AcuCT-200R-800: 1A	800/1A	IEC 61869-2 Class 0.5	1.25VA	2.5m
AcuCT-200R-1000: 1A	1000/1A	IEC 61869-2 Class 0.5	1.25VA	2.5m

Ordering Information

<i>Model</i>	-	<i>Rated Input</i>	:	<i>Rated Output</i>
AcuCT-200R		400: 400A		1A
		500: 500A		333mV
		600: 600A		80mA
		800: 800A		100mA
		1000: 1000A		200mA
Ordering Example	AcuCT-200R	- 400	:	333mV



Accuenergy Inc.

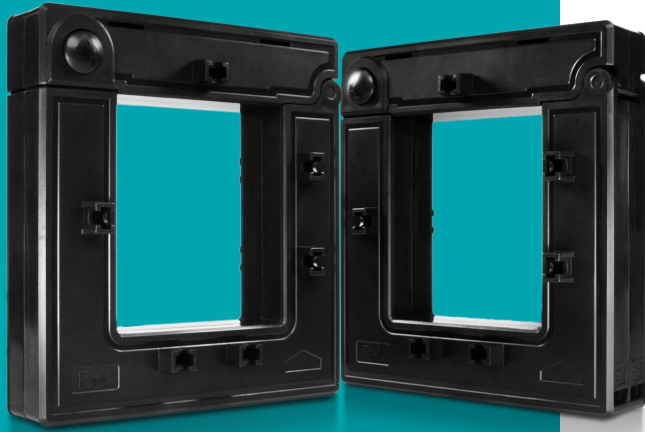
Los Angeles - Toronto - Pretoria
 North America Toll Free: 1-877-721-8908
 Web: www.accuenergy.com
 Email: marketing@accuenergy.com

Revision Date: March 2026 Version: 1.0.5
 Specs Subject To Change Without Notice.

AcuCT R Series

AcuCT-3135R

Revenue Grade Split-Core
Current Transformer Datasheet



The AcuCT R Series CTs are premium, revenue grade split-core current transformers with a selection output options and class-leading accuracy. UL2808 Listed for guaranteed safety and quality, the AcuCT R Series combines a compact, durable form factor with a sturdy latch for added assurance in challenging applications. Installation is straightforward thanks to the user-friendly, press-open design.

Features

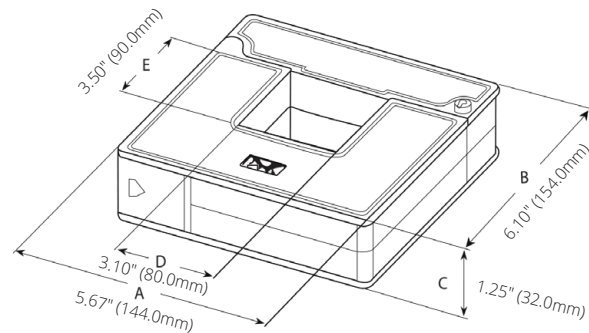
- Revenue grade accuracy: IEC 61869-2 Class 0.5 (from 5% - 120% of rated current)
- Choose from multiple voltage or current secondary output options including 5A and 333mV
- The press-open design helps to speed and simplify installation



Specifications

RATED CURRENT	
Current Range	5% - 120% of Rated Current
Output	5A, 1A, 80mA, 100mA, 200mA, 333mV
Accuracy	IEC 61869-2 Class 0.5
MECHANICAL/ENVIRONMENTAL	
Form Factor	Press Open Split-Core CT
Window Size	80.0mm x 90.0mm (3.10" x 3.50")
Exterior Dimensions	144.0mm x 154.0mm x 32.0mm 7.00" x 6.10" x 1.25"
Case Material	UL Enclosure Rated to 135°C (275°F)
Lead Wires	2.5m (8ft) UL 1015 18AWG
Operating Temperature	-25°C to 70°C / -13°F to 158°F
Operating Humidity	Non-Condensing, 0 to 95% RH
Installation Conditions	Indoor Use
ELECTRICAL	
Wire Polarity	White=Positive, Black=Negative
Phase Orientation	Arrow Points Towards Load
Frequency Range	50/60Hz
Output Resistance (Voltage Output) @80mA, 100mA, 200mA, burden@ 5A, 1A	80mA, 100mA, 200mA: 10Ω / 1A, 5A: 1.25VA
SAFETY/COMPLIANCE	
Withstand Voltage	5.0KV / 1mA / 1min
Rated Voltage	600VAC, Rated CAT III
Certifications	CE, RoHS, UL Listed UL2808 (E469633) IEC 61010-1 and CSA 22.2 IEC 61869-2

Dimensions



Typical Parameter

MODEL	CURRENT RATIO	ACCURACY CLASS	BURDEN / RESISTANCE	LEAD LENGTH
AcuCT-3135R-600: 80mA	600/80mA	IEC 61869-2 Class 0.5	10Ω	2.5m
AcuCT-3135R-800: 80mA	800/80mA	IEC 61869-2 Class 0.5	10Ω	2.5m
AcuCT-3135R-1000: 80mA	1000/80mA	IEC 61869-2 Class 0.5	10Ω	2.5m
AcuCT-3135R-1200: 80mA	1200/80mA	IEC 61869-2 Class 0.5	10Ω	2.5m
AcuCT-3135R-1500: 80mA	1500/80mA	IEC 61869-2 Class 0.5	10Ω	2.5m
AcuCT-3135R-600: 100mA	600/100mA	IEC 61869-2 Class 0.5	10Ω	2.5m
AcuCT-3135R-800: 100mA	800/100mA	IEC 61869-2 Class 0.5	10Ω	2.5m
AcuCT-3135R-1000: 100mA	1000/100mA	IEC 61869-2 Class 0.5	10Ω	2.5m
AcuCT-3135R-1200: 100mA	1200/100mA	IEC 61869-2 Class 0.5	10Ω	2.5m
AcuCT-3135R-1500: 100mA	1500/100mA	IEC 61869-2 Class 0.5	10Ω	2.5m
AcuCT-3135R-600: 200mA	600/200mA	IEC 61869-2 Class 0.5	10Ω	2.5m
AcuCT-3135R-800: 200mA	800/200mA	IEC 61869-2 Class 0.5	10Ω	2.5m
AcuCT-3135R-1000: 200mA	1000/200mA	IEC 61869-2 Class 0.5	10Ω	2.5m
AcuCT-3135R-1200: 200mA	1200/200mA	IEC 61869-2 Class 0.5	10Ω	2.5m
AcuCT-3135R-1500: 200mA	1500/200mA	IEC 61869-2 Class 0.5	10Ω	2.5m
AcuCT-3135R-600: 333mV	600/333mV	IEC 61869-2 Class 0.5		2.5m
AcuCT-3135R-800: 333mV	800/333mV	IEC 61869-2 Class 0.5		2.5m
AcuCT-3135R-1000: 333mV	1000/333mV	IEC 61869-2 Class 0.5		2.5m
AcuCT-3135R-1200: 333mV	1200/333mV	IEC 61869-2 Class 0.5		2.5m
AcuCT-3135R-1500: 333mV	1500/333mV	IEC 61869-2 Class 0.5		2.5m
AcuCT-3135R-600: 1A	600/1A	IEC 61869-2 Class 0.5	1.25VA	2.5m
AcuCT-3135R-800: 1A	800/1A	IEC 61869-2 Class 0.5	1.25VA	2.5m
AcuCT-3135R-1000: 1A	1000/1A	IEC 61869-2 Class 0.5	1.25VA	2.5m
AcuCT-3135R-1200: 1A	1200/1A	IEC 61869-2 Class 0.5	1.25VA	2.5m
AcuCT-3135R-1500: 1A	1500/1A	IEC 61869-2 Class 0.5	1.25VA	2.5m
AcuCT-3135R-600: 5A	600/5A	0.50%	1.25VA	2.5m
AcuCT-3135R-800: 5A	800/5A	IEC 61869-2 Class 0.5	1.25VA	2.5m
AcuCT-3135R-1000: 5A	1000/5A	IEC 61869-2 Class 0.5	1.25VA	2.5m
AcuCT-3135R-1200: 5A	1200/5A	IEC 61869-2 Class 0.5	1.25VA	2.5m
AcuCT-3135R-1500: 5A	1500/5A	IEC 61869-2 Class 0.5	1.25VA	2.5m

Ordering Information

Model	-	Rated Input	:	Rated Output
AcuCT-3135R		600: 600A		1A
		800: 800A		5A
		1000: 1000A		333mV
		1200: 1200A		80mA
		1500: 1500A		100mA
				200mA

Ordering Example AcuCT-3135R - 600 : 333mV



Accuenergy Inc.

Los Angeles - Toronto - Pretoria
 North America Toll Free: 1-877-721-8908
 Web: www.accuenergy.com
 Email: marketing@accuenergy.com

Revision Date: March 2026 Version: 1.0.5
 Specs Subject To Change Without Notice.

AcuCT R Series

AcuCT-4161R

Revenue Grade Split-Core
Current Transformer Datasheet



The AcuCT R Series CTs are premium, revenue grade split-core current transformers with a selection output options and class-leading accuracy. UL2808 Listed for guaranteed safety and quality, the AcuCT R Series combines a compact, durable form factor with a sturdy latch for added assurance in challenging applications. Installation is straightforward thanks to the user-friendly, press-open design.

Features

- Revenue grade accuracy: IEC 61869-2 Class 0.5 (from 5% - 120% of rated current)
- Choose from multiple voltage or current secondary output options including 5A and 333mV
- The press-open design helps to speed and simplify installation

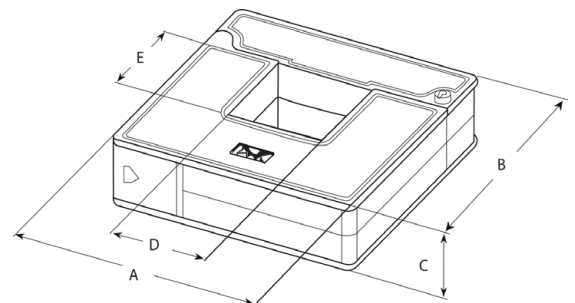


Specifications

RATED CURRENT	600A, 800A, 1000A, 1200A, 1600A, 2000A, 2500A, 3000A, 4000A
Current Range	5%-120% of rated current
Output	5A, 1A, 80mA, 100mA, 200mA, 333mV
Accuracy	IEC 61869-2 Class 0.5
MECHANICAL/ENVIRONMENTAL	
Form Factor	Press Open Split-Core CT
Window Size	105.0mm x 155.0mm (4.10" x 6.10")
Exterior Dimensions	185.0mm x 235.0mm x 45.0mm 7.30" x 9.30" x 1.80"
Case Material	UL Enclosure Rated to 135°C (275°F)
Lead Wires	2.5m (8ft) UL 1015 18AWG
Operating Temperature	-25°C to 70°C / -13°F to 158°F
Operating Humidity	Non-Condensing, 0 to 95% RH
Installation Conditions	Indoor Use
ELECTRICAL	
Wire Polarity	White=Positive, Black=Negative
Phase Orientation	Arrow Points Towards Load
Frequency Range	50/60Hz
Output Resistance (Voltage Output)@80mA, 100mA, 200mA, burden@ 5A, 1A	80mA, 100mA, 200mA: 10Ω / 1A,5A: 1.25VA
SAFETY/COMPLIANCE	
Withstand Voltage	5.0KV / 1mA / 1min
Rated Voltage	600VAC, Rated CAT III
Certifications	CE, RoHS, UL Listed UL2808 (E469633) IEC 61010-1 and CSA 22.2 IEC 61869-2

Dimensions

A: 7.30" (185.0mm)
B: 9.30" (235.0mm)
C: 1.80" (45.0mm)
D: 4.10" (105.0mm)
E: 6.10" (155.0mm)



Typical Parameter

MODEL	CURRENT RATIO	ACCURACY CLASS	BURDEN / RESISTANCE	LEAD LENGTH
AcuCT-4161R-600: 80mA	600/80mA	IEC 61869-2 Class 0.5	10Ω	2.5m
AcuCT-4161R-800: 80mA	800/80mA	IEC 61869-2 Class 0.5	10Ω	2.5m
AcuCT-4161R-1000: 80mA	1000/80mA	IEC 61869-2 Class 0.5	10Ω	2.5m
AcuCT-4161R-1200: 80mA	1200/80mA	IEC 61869-2 Class 0.5	10Ω	2.5m
AcuCT-4161R-1600: 80mA	1600/80mA	IEC 61869-2 Class 0.5	10Ω	2.5m
AcuCT-4161R-2000: 80mA	2000/80mA	IEC 61869-2 Class 0.5	10Ω	2.5m
AcuCT-4161R-2500: 80mA	2500/80mA	IEC 61869-2 Class 0.5	10Ω	2.5m
AcuCT-4161R-3000: 80mA	3000/80mA	IEC 61869-2 Class 0.5	10Ω	2.5m
AcuCT-4161R-4000: 80mA	4000/80mA	IEC 61869-2 Class 0.5	10Ω	2.5m
AcuCT-4161R-600: 100mA	600/100mA	IEC 61869-2 Class 0.5	10Ω	2.5m
AcuCT-4161R-800: 100mA	800/100mA	IEC 61869-2 Class 0.5	10Ω	2.5m
AcuCT-4161R-1000: 100mA	1000/100mA	IEC 61869-2 Class 0.5	10Ω	2.5m
AcuCT-4161R-1200: 100mA	1200/100mA	IEC 61869-2 Class 0.5	10Ω	2.5m
AcuCT-4161R-1600: 100mA	1600/100mA	IEC 61869-2 Class 0.5	10Ω	2.5m
AcuCT-4161R-2000: 100mA	2000/100mA	IEC 61869-2 Class 0.5	10Ω	2.5m
AcuCT-4161R-2500: 100mA	2500/100mA	IEC 61869-2 Class 0.5	10Ω	2.5m
AcuCT-4161R-3000: 100mA	3000/100mA	IEC 61869-2 Class 0.5	10Ω	2.5m
AcuCT-4161R-4000: 100mA	4000/100mA	IEC 61869-2 Class 0.5	10Ω	2.5m
AcuCT-4161R-600: 200mA	600/200mA	IEC 61869-2 Class 0.5	10Ω	2.5m
AcuCT-4161R-800: 200mA	800/200mA	IEC 61869-2 Class 0.5	10Ω	2.5m
AcuCT-4161R-1000: 200mA	1000/200mA	IEC 61869-2 Class 0.5	10Ω	2.5m
AcuCT-4161R-1200: 200mA	1200/200mA	IEC 61869-2 Class 0.5	10Ω	2.5m
AcuCT-4161R-1600: 200mA	1600/200mA	IEC 61869-2 Class 0.5	10Ω	2.5m
AcuCT-4161R-2000: 200mA	2000/200mA	IEC 61869-2 Class 0.5	10Ω	2.5m
AcuCT-4161R-2500: 200mA	2500/200mA	IEC 61869-2 Class 0.5	10Ω	2.5m
AcuCT-4161R-3000: 200mA	3000/200mA	IEC 61869-2 Class 0.5	10Ω	2.5m
AcuCT-4161R-4000: 200mA	4000/200mA	IEC 61869-2 Class 0.5	10Ω	2.5m
AcuCT-4161R-600: 333mV	600/333mV	IEC 61869-2 Class 0.5		2.5m
AcuCT-4161R-800: 333mV	800/333mV	IEC 61869-2 Class 0.5		2.5m
AcuCT-4161R-1000: 333mV	1000/333mV	IEC 61869-2 Class 0.5		2.5m
AcuCT-4161R-1200: 333mV	1200/333mV	IEC 61869-2 Class 0.5		2.5m
AcuCT-4161R-1600: 333mV	1600/333mV	IEC 61869-2 Class 0.5		2.5m
AcuCT-4161R-2000: 333mV	2000/333mV	IEC 61869-2 Class 0.5		2.5m
AcuCT-4161R-2500: 333mV	2500/333mV	IEC 61869-2 Class 0.5		2.5m
AcuCT-4161R-3000: 333mV	3000/333mV	IEC 61869-2 Class 0.5		2.5m
AcuCT-4161R-4000: 333mV	4000/333mV	IEC 61869-2 Class 0.5		2.5m
AcuCT-4161R-600: 1A	600/1A	IEC 61869-2 Class 0.5	1.25VA	2.5m
AcuCT-4161R-800: 1A	800/1A	IEC 61869-2 Class 0.5	1.25VA	2.5m
AcuCT-4161R-1000: 1A	1000/1A	IEC 61869-2 Class 0.5	1.25VA	2.5m
AcuCT-4161R-1200: 1A	1200/1A	IEC 61869-2 Class 0.5	1.25VA	2.5m
AcuCT-4161R-1600: 1A	1600/1A	IEC 61869-2 Class 0.5	1.25VA	2.5m
AcuCT-4161R-2000: 1A	2000/1A	IEC 61869-2 Class 0.5	1.25VA	2.5m
AcuCT-4161R-2500: 1A	2500/1A	IEC 61869-2 Class 0.5	1.25VA	2.5m
AcuCT-4161R-3000: 1A	3000/1A	IEC 61869-2 Class 0.5	1.25VA	2.5m
AcuCT-4161R-4000: 1A	4000/1A	IEC 61869-2 Class 0.5	1.25VA	2.5m
AcuCT-4161R-600: 5A	600/5A	0.50%	1.25VA	2.5m
AcuCT-4161R-800: 5A	800/5A	IEC 61869-2 Class 0.5	1.25VA	2.5m
AcuCT-4161R-1000: 5A	1000/5A	IEC 61869-2 Class 0.5	1.25VA	2.5m

AcuCT-4161R-1200: 5A	1200/5A	IEC 61869-2 Class 0.5	1.25VA	2.5m
AcuCT-4161R-1600: 5A	1600/5A	IEC 61869-2 Class 0.5	1.25VA	2.5m
AcuCT-4161R-2000: 5A	2000/5A	IEC 61869-2 Class 0.5	1.25VA	2.5m
AcuCT-4161R-2500: 5A	2500/5A	IEC 61869-2 Class 0.5	1.25VA	2.5m
AcuCT-4161R-3000: 5A	3000/5A	IEC 61869-2 Class 0.5	1.25VA	2.5m
AcuCT-4161R-4000: 5A	4000/5A	IEC 61869-2 Class 0.5	1.25VA	2.5m

Ordering Information

<i>Model</i>	-	<i>Rated Input</i>	:	<i>Rated Output</i>
AcuCT-4161R		600: 600A		1A
		800: 800A		5A
		1000: 1000A		333mV
		1200: 1200A		80mA
		1600: 1600A		100mA
		2000: 2000A		200mA
		2500: 2500A		
		3000: 3000A		
		4000: 4000A		



Accuenergy Inc.

Los Angeles - Toronto - Pretoria

North America Toll Free: 1-877-721-8908

Web: www.accuenergy.com

Email: marketing@accuenergy.com

Revision Date: March 2026 Version: 1.0.5

Specs Subject To Change Without Notice.

Ordering Example AcuCT-4161R - 2000 : 333mV

AcuCT R Series

AcuCT-5170R

Revenue Grade Split-Core
Current Transformer Datasheet



The AcuCT R Series CTs are premium, revenue grade split-core current transformers with a selection output options and class-leading accuracy. UL2808 Listed for guaranteed safety and quality, the AcuCT R Series combines a compact, durable form factor with a sturdy latch for added assurance in challenging applications. Installation is straightforward thanks to the user-friendly, press-open design.

Features

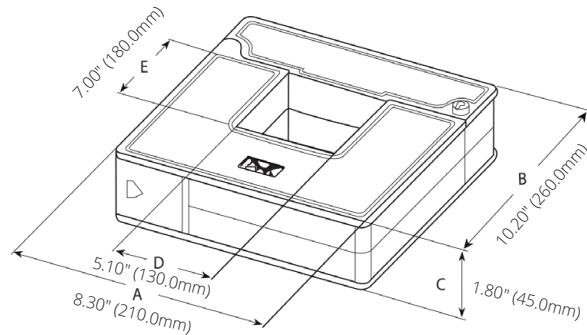
- Revenue grade accuracy: IEC 61869-2 Class 0.5 (from 5% - 120% of rated current)
- Choose from multiple voltage or current secondary output options including 5A and 333mV



Specifications

RATED CURRENT	1000A, 1600A, 2000A, 3000A, 4000A, 5000A
Current Range	5% - 120% of Rated Current
Output	5A, 1A, 80mA, 100mA, 200mA, 333mV
Accuracy	IEC 61869-2 Class 0.5
MECHANICAL/ENVIRONMENTAL	
Form Factor	Press Open Split-Core CT
Window Size	130.0mm x 180.0mm (5.10" x 7.00")
Exterior Dimensions	210.0mm x 260.0mm x 45.0mm 8.30" x 10.20" x 1.80"
Case Material	UL Enclosure Rated to 135°C (275°F)
Lead Wires	2.5m (8ft) UL 1015 18AWG
Operating Temperature	-25°C to 70°C / -13°F to 158°F
Operating Humidity	Non-Condensing, 0 to 95% RH
Installation Conditions	Indoor Use
ELECTRICAL	
Wire Polarity	White=Positive, Black=Negative
Phase Orientation	Arrow Points Towards Load
Frequency Range	50/60Hz
Output Resistance (Voltage Output) @80mA, 100mA,200mA, burden @ 5A, 1A	80mA,100mA, 200mA: 10Ω / 1A,5A: 1.25VA
SAFETY/COMPLIANCE	
Withstand Voltage	5.0KV / 1mA / 1min
Rated Voltage	600VAC, Rated CAT III
Certifications	CE, RoHS, UL Listed UL2808 (E469633) IEC 61010-1 and CSA 22.2 IEC 61869-2

Dimensions



Typical Parameter

MODEL	CURRENT RATIO	ACCURACY CLASS	BURDEN / RESISTANCE	LEAD LENGTH
AcuCT-5170R-1000: 80mA	1000/80mA	IEC 61869-2 Class 0.5	10Ω	2.5m
AcuCT-5170R-1600: 80mA	1600/80mA	IEC 61869-2 Class 0.5	10Ω	2.5m
AcuCT-5170R-2000: 80mA	2000/80mA	IEC 61869-2 Class 0.5	10Ω	2.5m
AcuCT-5170R-3000: 80mA	3000/80mA	IEC 61869-2 Class 0.5	10Ω	2.5m
AcuCT-5170R-4000: 80mA	4000/80mA	IEC 61869-2 Class 0.5	10Ω	2.5m
AcuCT-5170R-5000: 80mA	5000/80mA	IEC 61869-2 Class 0.5	10Ω	2.5m
AcuCT-5170R-1000: 100mA	1000/100mA	IEC 61869-2 Class 0.5	10Ω	2.5m
AcuCT-5170R-1600: 100mA	1600/100mA	IEC 61869-2 Class 0.5	10Ω	2.5m
AcuCT-5170R-2000: 100mA	2000/100mA	IEC 61869-2 Class 0.5	10Ω	2.5m
AcuCT-5170R-3000: 100mA	3000/100mA	IEC 61869-2 Class 0.5	10Ω	2.5m
AcuCT-5170R-4000: 100mA	4000/100mA	IEC 61869-2 Class 0.5	10Ω	2.5m
AcuCT-5170R-5000: 100mA	5000/100mA	IEC 61869-2 Class 0.5	10Ω	2.5m
AcuCT-5170R-1000: 200mA	1000/200mA	IEC 61869-2 Class 0.5	10Ω	2.5m
AcuCT-5170R-1600: 200mA	1600/200mA	IEC 61869-2 Class 0.5	10Ω	2.5m
AcuCT-5170R-2000: 200mA	2000/200mA	IEC 61869-2 Class 0.5	10Ω	2.5m
AcuCT-5170R-3000: 200mA	3000/200mA	IEC 61869-2 Class 0.5	10Ω	2.5m
AcuCT-5170R-4000: 200mA	4000/200mA	IEC 61869-2 Class 0.5	10Ω	2.5m
AcuCT-5170R-5000: 200mA	5000/200mA	IEC 61869-2 Class 0.5	10Ω	2.5m
AcuCT-5170R-1000: 333mV	1000/333mV	IEC 61869-2 Class 0.5		2.5m
AcuCT-5170R-1600:333mV	1600/333mV	IEC 61869-2 Class 0.5		2.5m
AcuCT-5170R-2000: 333mV	2000/333mV	IEC 61869-2 Class 0.5		2.5m
AcuCT-5170R-3000: 333mV	3000/333mV	IEC 61869-2 Class 0.5		2.5m
AcuCT-5170R-4000: 333mV	4000/333mV	IEC 61869-2 Class 0.5		2.5m
AcuCT-5170R-5000: 333mV	5000/333mV	IEC 61869-2 Class 0.5		2.5m
AcuCT-5170R-1000: 1A	1000/1A	IEC 61869-2 Class 0.5	1.25VA	2.5m
AcuCT-5170R-1600: 1A	1600/1A	IEC 61869-2 Class 0.5	1.25VA	2.5m
AcuCT-5170R-2000: 1A	2000/1A	IEC 61869-2 Class 0.5	1.25VA	2.5m
AcuCT-5170R-3000: 1A	3000/1A	IEC 61869-2 Class 0.5	1.25VA	2.5m
AcuCT-5170R-4000: 1A	4000/1A	IEC 61869-2 Class 0.5	1.25VA	2.5m
AcuCT-5170R-5000: 1A	5000/1A	IEC 61869-2 Class 0.5	1.25VA	2.5m
AcuCT-5170R-1000: 5A	1000/5A	IEC 61869-2 Class 0.5	1.25VA	2.5m
AcuCT-5170R-1600: 5A	1600/5A	IEC 61869-2 Class 0.5	1.25VA	2.5m
AcuCT-5170R-2000: 5A	2000/5A	IEC 61869-2 Class 0.5	1.25VA	2.5m
AcuCT-5170R-3000: 5A	3000/5A	IEC 61869-2 Class 0.5	1.25VA	2.5m
AcuCT-5170R-4000: 5A	4000/5A	IEC 61869-2 Class 0.5	1.25VA	2.5m
AcuCT-5170R-5000: 5A	5000/5A	IEC 61869-2 Class 0.5	1.25VA	2.5m

Ordering Information

Model	-	Rated Input	:	Rated Output
AcuCT-5170R		1000: 1000A		1A
		1600: 1600A		5A
		2000: 2000A		333mV
		3000: 3000A		80mA
		4000: 4000A		100mA
		5000: 5000A		200mA
Ordering Example	AcuCT-5170R	-	2000	: 333mV



Accuenergy Inc.

Los Angeles - Toronto - Pretoria

North America Toll Free: 1-877-721-8908

Web: www.accuenergy.com

Email: marketing@accuenergy.com

Revision Date: March 2026 Version: 1.0.5

Specs Subject To Change Without Notice.