

GENERAL ARRANGEMENT DRAWING

THIS DRAWING IS SUBJECT TO 'COPYRIGHT' IT CANNOT BE COPIED OR REPRODUCED WITHOUT THE WRITTEN AUTHORITY OF THE COMPANY

CONFIDENTIAL

THIS IS A PICTORIAL REPRESENTATION THAT IS NOT TO SCALE & IS NOT SUITABLE FOR MANUFACTURING

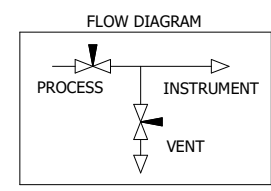
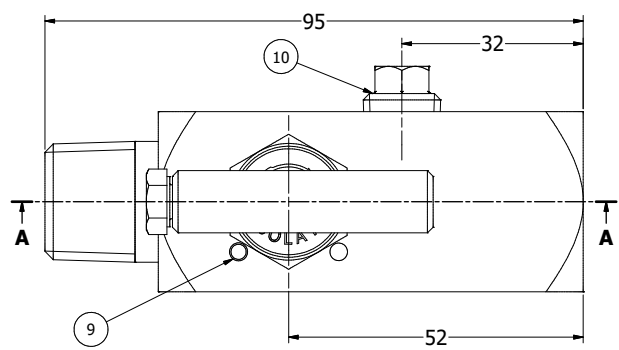
DIMENSIONS SHOWN ARE IN METRIC MM IMPERIAL INCH

REVISION HISTORY

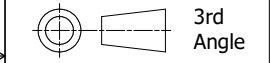
REV No.	DATE	DETAILS OF CHANGE	REV BY
1	25/11/2024	FIRST ISSUED	C.L.

IF IN DOUBT 'ASK'

ITEM	DESCRIPTION	MATERIAL	QTY
1	MANIFOLD BODY	A479 UNS S31600	1
2	NEEDLE VALVE TIP	A479 UNS S31600	2
3	PACKING SEAL	PTFE	2
4	ANTI-EXTRUSION RING	PEEK	4
5	GLAND ADJUSTER	A479 UNS S31600	2
6	ISOLATE DUST CAP	PVC	1
7	"T" HANDLE	UNS S31600	2
8	M6 HEX HEAD CAP SCREW	A4 ST/ST	2
9	STOP PIN	UNS S31600	2
10	1/4" NPT BLANK PLUG	A479 UNS S31600	1
11	NEEDLE VALVE STEM	A479 UNS S31600	2
12	GLAND LOCKNUT	UNS S31600	2
13	BONNET HOUSING	A479 UNS S31600	2
14	BONNET SEAL	UNS S31600	2
15	VENT DUST CAP	PVC	1



MAX PRESSURE 10,000 PSI AT 38°C
TEMPERATURE RANGE -46°C/230°C



'IMPORTANT' - THIS DOCUMENT MAY CONTAIN CONTROLLED INFORMATION AND COULD THEREFORE REQUIRE EXPORT PERMISSIONS FROM RELEVANT AUTHORITIES IN YOUR COUNTRY

CERTIFICATION REQUIRED

BS EN 10204: (LATEST REVISION)

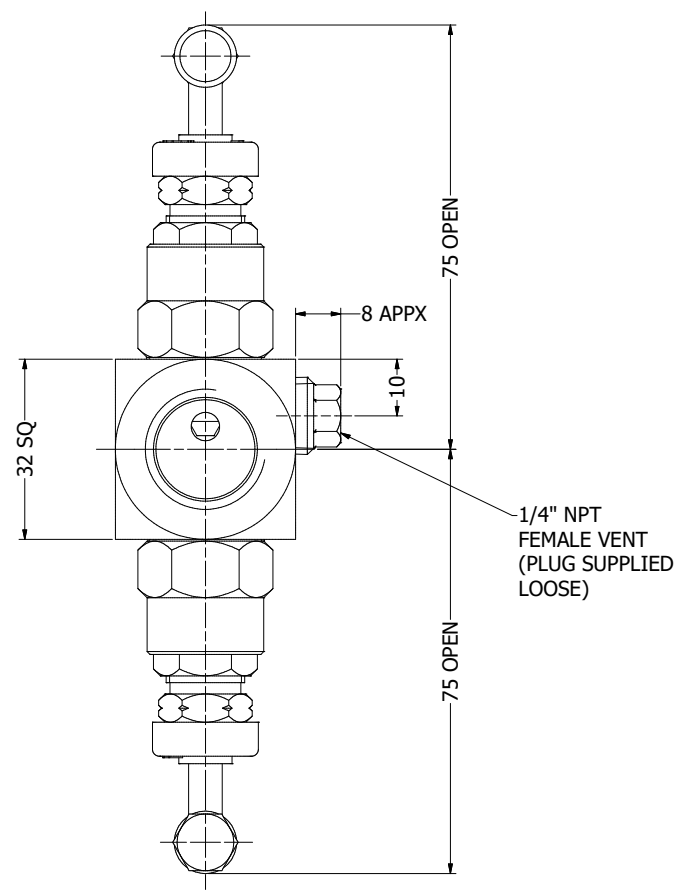
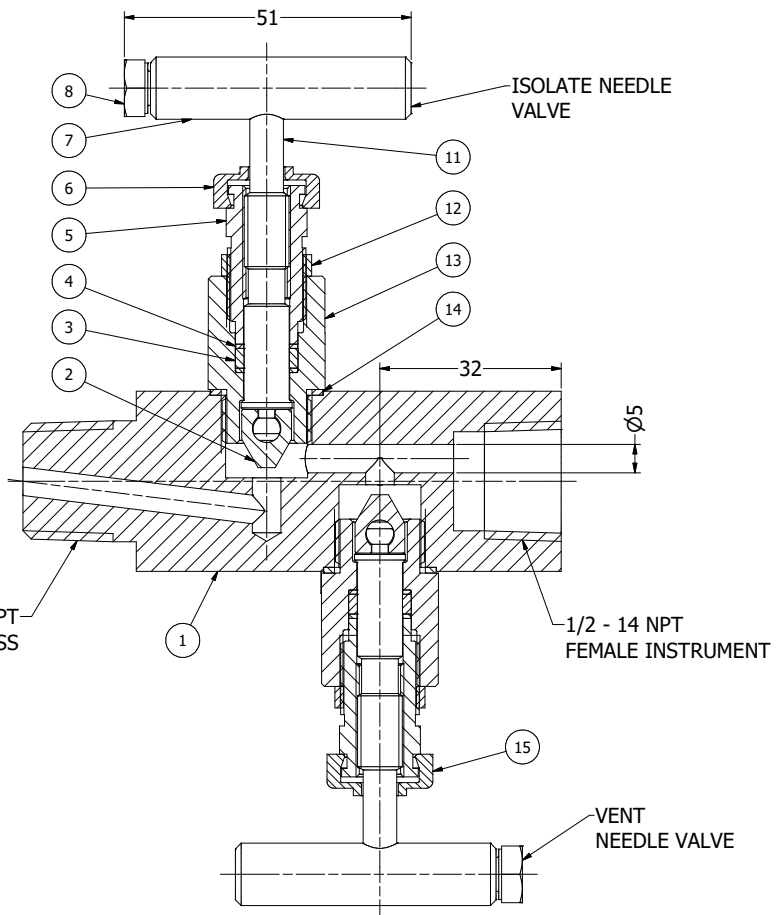
ORIGINAL MILL CERTIFICATE

N.A.C.E. MR. 01.75

ADDITIONAL :-

PRESSURE RATINGS ARE COLD WORKING, NON-SHOCK AND SUBJECT TO TEMPERATURE LIMITATIONS, UNLESS OTHERWISE STATED. PLEASE SEE SPECIFIC PRODUCT DATA

DIMENSIONS AND DESIGNS ARE SUBJECT TO CHANGE WITHOUT PRIOR NOTICE



SECTION A-A

PROJECT PO No. :

ITEM No. :

CUSTOMER PO No. :

PROJECT :

WEIGHT: 0.83 Kg

QTY:

TAG No. :



Brighouse, West Yorkshire, United Kingdom
Tel: 01484 710511
Fax: 01484 502200
Int: +44 1484 710511
Website: www.alco-valves.com
e-mail: uk@alco-valves.com

TITLE: 1/2" NPT MALE PROCESS x 1/2" NPT FEMALE INSTRUMENT 2-VALVE IN-LINE REMOTE MOUNT NEEDLE MANIFOLD IN 316 ST./ST. 1/4" NPT VENT (PLUGGED). RATED 10,000psi.

SCALE: N.T.S.
DATE: 25/11/2024

DRAWING NUMBER: U2VG4NS-TS2

CHKD	FB	APRD	CL
DRWN	C.L.	REV.	1