



**Spraying Systems Co.**  
Experts in Spray Technology

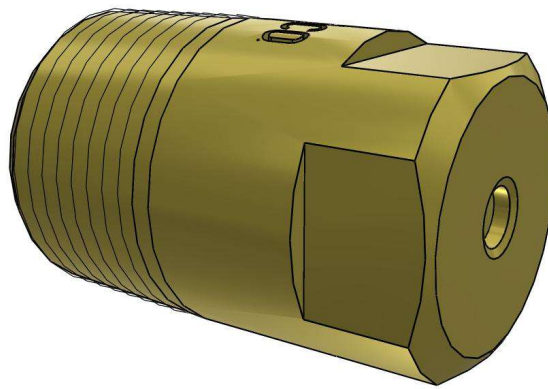
Wheaton, IL USA

Find Your Local Sales Office: [spray.com/localrep](http://spray.com/localrep)

Find Your Local Web Site: [spray.com/localsite](http://spray.com/localsite)

**Product Name** FullJet® H/HH

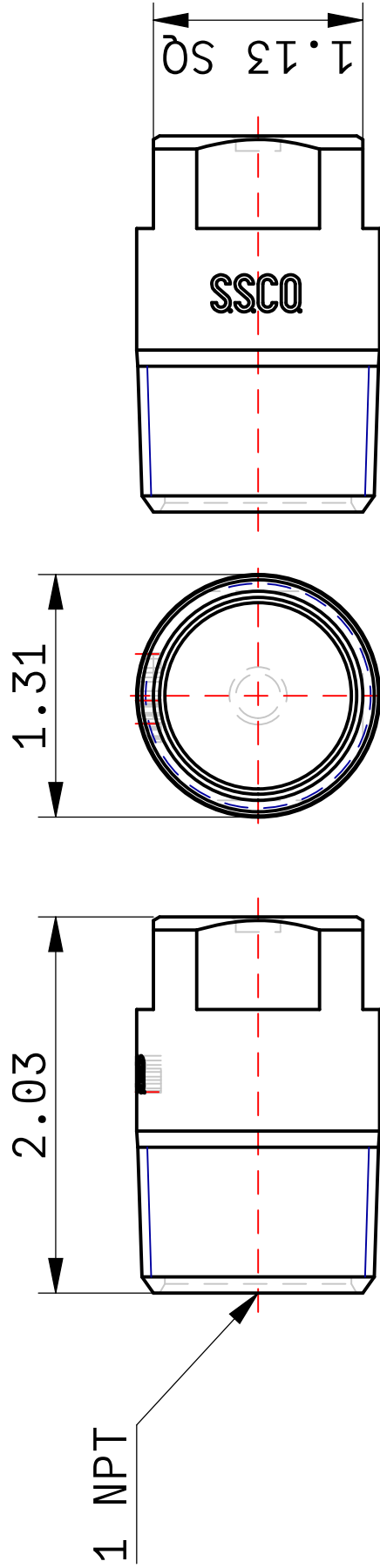
**Sales Part** 1HH-7  
**Inlet Connection Size [INCH]** 1 NPT (Male)  
**Materials** Brass



*Interactive 3D graphic, click to activate and rotate  
(3D capable PDF viewer required)*

<b>Capacity Size</b>	7
<b>Max Free Passage Dia (in)</b>	0.219
<b>Flow Rate Capacity (gallons per minute) at 5 psi</b>	6
<b>Flow Rate Capacity (gallons per minute) at 7 psi</b>	7
<b>Flow Rate Capacity (gallons per minute) at 10 psi</b>	8.2
<b>Flow Rate Capacity (gallons per minute) at 20 psi</b>	11.3
<b>Flow Rate Capacity (gallons per minute) at 40 psi</b>	15.6
<b>Flow Rate Capacity (gallons per minute) at 80 psi</b>	21
<b>Flow Rate Capacity (gallons per minute) at 100 psi</b>	24
<b>Flow Rate Capacity (gallons per minute) at 150 psi</b>	29
<b>Spray Angle at 7 psi [°]</b>	67
<b>Spray Angle at 20 psi [°]</b>	68
<b>Spray Angle at 80 psi [°]</b>	62

# Product Datasheet



*Drawing Dimensions in Inches*



**Spraying Systems Co.**  
Experts in Spray Technology

Wheaton, IL USA

Spraying Systems Co. reserves the right to make changes in product specification and design or to add improvements at any time

Find Your Local Sales Office: [spray.com/localrep](http://spray.com/localrep)

Find Your Local Web Site: [spray.com/localsite](http://spray.com/localsite)