

VALVE IDENTIFICATION DETAILS

THIS DRAWING IS SUBJECT TO 'COPYRIGHT' IT CANNOT BE COPIED OR REPRODUCED WITHOUT THE WRITTEN AUTHORITY OF THE COMPANY

CONFIDENTIAL

REMOVE ALL SHARP EDGES AND BURRS
OUR PURCHASE ORDER NO

DIMENSIONS SHOWN ARE METRIC IMP

PROJECT:

IF IN DOUBT 'ASK'

PROJECT PO No:

CUSTOMER PO No:

ITEM No:

TAG No:

QUANTITY: WEIGHT:

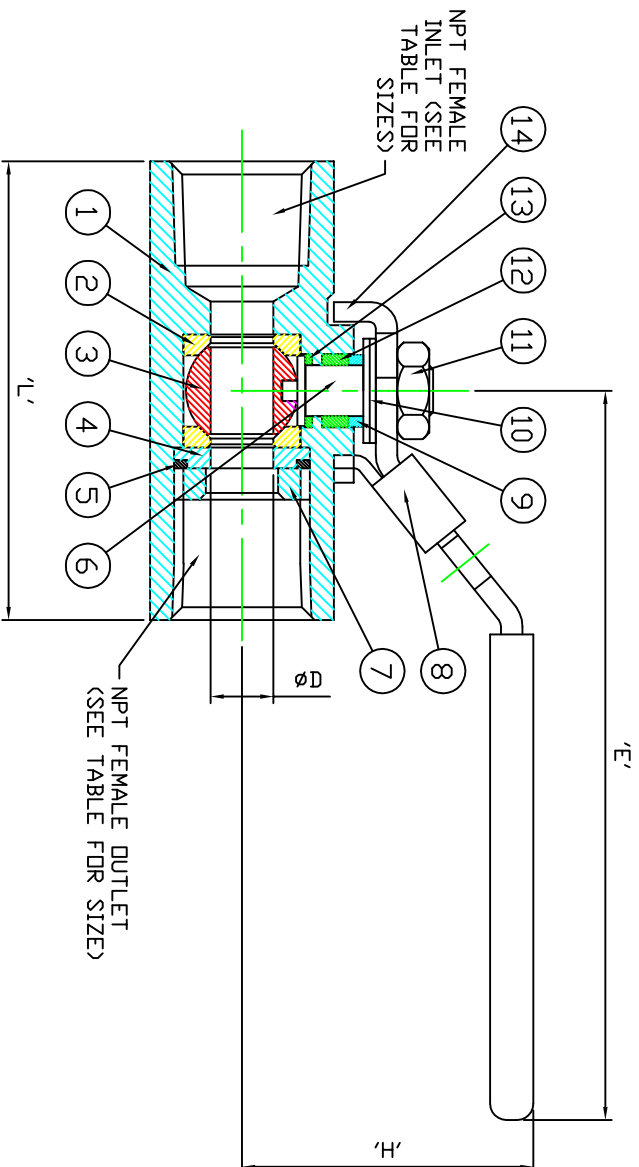
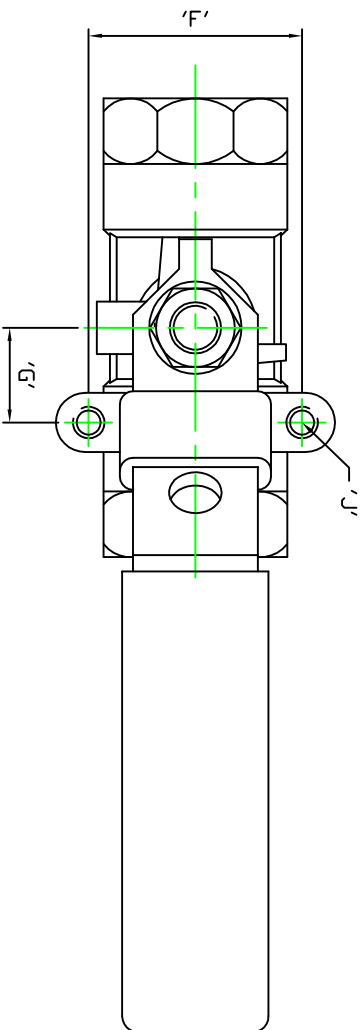
REVISIONS

REV No	DATE	DETAILS OF CHANGE	REV BY
1	05/07/11	ISSUED	---

IMPORTANT THIS DOCUMENT MAY CONTAIN CONTROLLED INFORMATION AND THEREFORE MAY REQUIRE EXPORT PERMISSIONS FROM RELEVANT AUTHORITIES IN YOUR COUNTRY

PRESSURE RATINGS ARE COLD WORKING, NON-SHOCK AND SUBJECT TO TEMPERATURE LIMITATIONS, UNLESS OTHERWISE STATED. PLEASE SEE SPECIFIC PRODUCT DATA.

DIMENSIONS AND DESIGNS ARE SUBJECT TO CHANGE WITHOUT PRIOR NOTICE.



PART NUMBER	SIZE	D	E	F	G	H	J	L
CA2NS	1/4"	9.2	111	28.5	12.7	4.4	No.10-24 UNC	59
CA3NS	3/8"	9.2	111	28.5	12.7	4.4	No.10-24 UNC	59
CA4NS	1/2"	9.2	111	28.5	12.7	4.4	No.10-24 UNC	67
CA6NS	3/4"	12.5	111	28.5	12.7	4.75	No.10-24 UNC	71
CA8NS	1"	16	141.5	34.8	22.1	6.0	No.10-24 UNC	85
CA10NS	1-1/4"	20	141.5	34.8	22.1	6.5	No.10-24 UNC	94
CA12NS	1-1/2"	24.5	161.5	38.1	23.6	7.1	1/4"-20 UNC	100
CA16NS	2"	32	161.5	38.1	23.6	7.65	1/4"-20 UNC	118

ITEM	DESCRIPTION	QTY	MATERIAL
1	VALVE BODY	1	CF8M
2	SEAT	2	RTFE
3	BALL	1	316SS
4	RETAINER	1	316SS
5	FIRESAFE SEAL	1	GRAPHITE
6	STEM	1	316SS
7	INSERT	1	316SS
8	LOCKING SLEEVE	1	316SS
9	SPACER	1	316SS
10	SPRING WASHER	2	ST/ST
11	NUT	1	A2SS
12	STEM PACKING	1	GRAPHITE
13	THRUST WASHER	1	RTFE
14	LEVER HANDLE	1	316SS

CERTIFICATION REQUIRED

BS EN 10204:(LATEST REVISION)

ORIGINAL MILL CERTIFICATE

N.A.C.E. MR. 01.75(LATEST REVISION)

ADDITIONAL:--



Industrial Valve Manufacturers

Mission Works, Birdroyd Lane, Brighouse, West Yorkshire, HD6 1LQ, UK
Tel: 01484 710511 FAX: 01484 713009 Int'l: ++44 1484 710511
Website: www.alco-valves.com e-mail: uk@alco-valves.com

TITLE

1/4" - 2" 'CA' SERIES BALL VALVE IN CF8M FIRESAFE. RATED 2,000psi.

SCALE N.T.S.

DATE 05/07/11

DRAWING NUMBER

DRAWN C.L. CHKD APPD

CA#NS

REVISION No

1